

# JVC

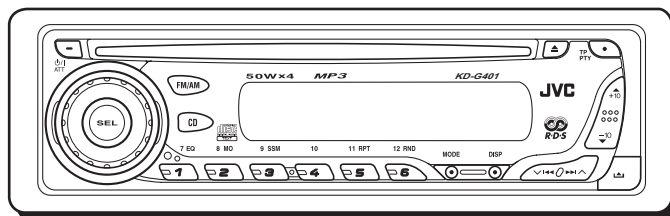
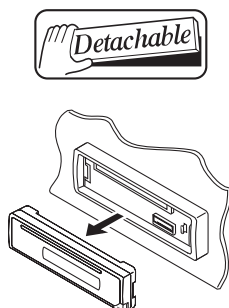
## SERVICE MANUAL

### CD RECEIVER

# KD-G401

Area suffix

E ----- Continental Europe  
EX ----- Central Europe



**MP3**



### TABLE OF CONTENTS

1	PRECAUTION .....	1-3
2	SPECIFIC SERVICE INSTRUCTIONS .....	1-5
3	DISASSEMBLY .....	1-6
4	ADJUSTMENT .....	1-24
5	TROUBLESHOOTING .....	1-25

# SPECIFICATION

## AUDIO AMPLIFIER SECTION

Maximum Power Output	Front	50 W per channel
	Rear	50 W per channel
Continuous Power Output (RMS)	Front	19 W per channel into 4 $\Omega$ , 40 Hz to 20 000 Hz at no more than 0.8% total harmonic distortion.
	Rear	19 W per channel into 4 $\Omega$ , 40 Hz to 20 000 Hz at no more than 0.8% total harmonic distortion.
Load Impedance		4 $\Omega$ (4 $\Omega$ to 8 $\Omega$ allowance)
Tone Control Range	Bass	$\pm 10$ dB at 100 Hz
	Treble	$\pm 10$ dB at 10 kHz
Frequency Response		40 Hz to 20 000 Hz
Signal-to-Noise Ratio		70 dB
Line-Out Level/Impedance		2.0 V/20 k $\Omega$ load (full scale)
Output Impedance		1 k $\Omega$

## TUNER SECTION

Frequency Range	FM	87.5 MHz to 108.0 MHz
	AM	(MW) 522 kHz to 1 620 kHz
		(LW) 144 kHz to 279 kHz
[FM Tuner]	Usable Sensitivity	11.3 dBf (1.0 $\mu$ V/75 $\Omega$ )
	50 dB Quieting Sensitivity	16.3 dBf (1.8 $\mu$ V/75 $\Omega$ )
	Alternate Channel Selectivity (400 kHz)	65 dB
	Frequency Response	40 Hz to 15 000 Hz
	Stereo Separation	30 dB
	Capture Ratio	1.5 dB
[MW Tuner]	Sensitivity	20 $\mu$ V
	Selectivity	35 dB
[LW Tuner]	Selectivity	50 $\mu$ V

## CD PLAYER SECTION

Type	Compact disc player
Signal Detection System	Non-contact optical pickup (semiconductor laser)
Number of channels	2 channels (stereo)
Frequency Response	5 Hz to 20 000 Hz
Dynamic Range	96 dB
Signal-to-Noise Ratio	98 dB
Wow and Flutter	Less than measurable limit
MP3 decoding format	MPEG 1/2 Audio Layer 3
	Max. Bit Rate:320 Kbps

## GENERAL

Power Requirement	Operating Voltage	DC 14.4 V (11 V to 16 V allowance)
Grounding System		Negative ground
Allowable Operating Temperature		0°C to +40°C
Dimensions (W $\times$ H $\times$ D)	Installation Size (approx.)	182 mm $\times$ 52 mm $\times$ 150 mm
	Panel Size (approx.)	188 mm $\times$ 58 mm $\times$ 11 mm
Mass (approx.)		1.3 kg (excluding accessories)

Design and specifications are subject to change without notice.

## SECTION 3 DISASSEMBLY

### 3.1 Main body

#### 3.1.1 Removing the front panel assembly (See Fig.1)

- (1) Push the detach button in the lower right part of the front panel assembly and remove the front panel assembly.

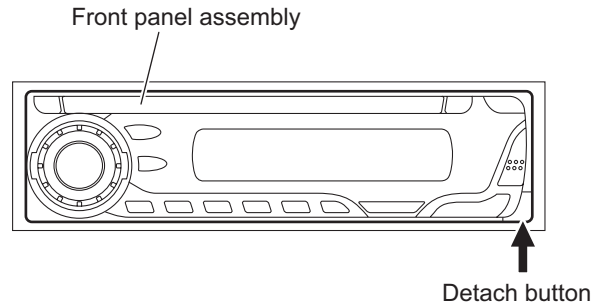


Fig.1

#### 3.1.2 Removing the bottom cover (See Fig.2)

- (1) Turn the main body up side down.
- (2) Insert a screwdriver under the joints to release the two joints **a** on the left side, two joints **b** on the right side and joint **c** on the back side of the main body, then remove the bottom cover from the main body.

**Note:**

When releasing the joints using a screwdriver, do not damage the main board.

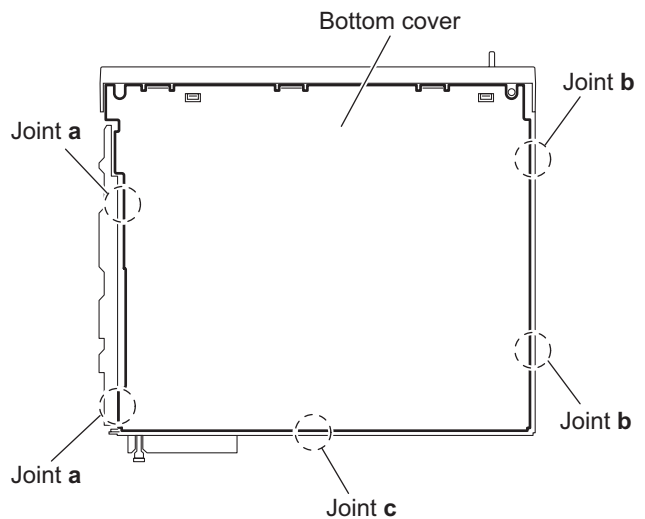


Fig.2

#### 3.1.3 Removing the front chassis assembly (See Fig.3)

- Prior to performing the following procedures, remove the front panel assembly and bottom cover.
- (1) Remove the two screws **A** on the both sides of the main body.
  - (2) Release the two joints **d** and two joints **e** on the both sides of the main body, then remove the front chassis assembly toward the front.

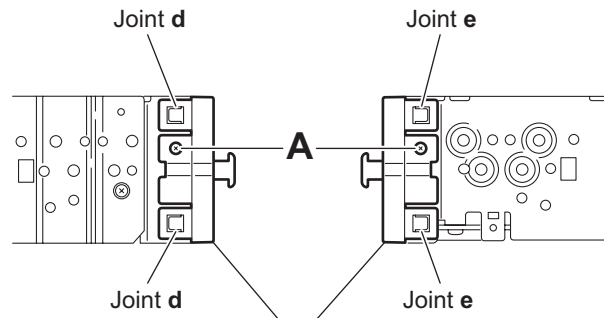
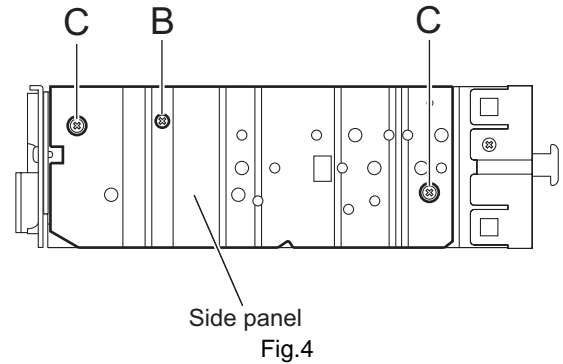


Fig.3

### 3.1.4 Removing the side panel (See Fig.4)

- Prior to performing the following procedure, remove the front panel assembly as required.
  - (1) Remove the screw **B** and two screws **C** attaching the side panel on the left side of the main body, and remove the side panel.

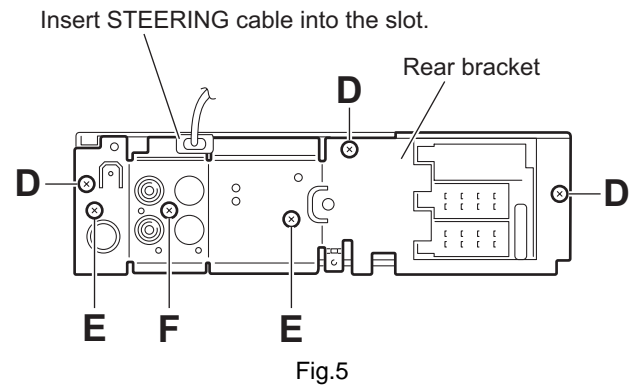


### 3.1.5 Removing the rear bracket (See Fig.5)

- Prior to performing the following procedure, remove the bottom cover.
  - (1) Remove the three screws **D**, two screws **E** and screw **F** attaching the rear bracket on the back side of the main body.
  - (2) Remove the rear bracket.

#### Reference:

Insert the STEERING cable into the slot before attaching the rear bracket to the main body.

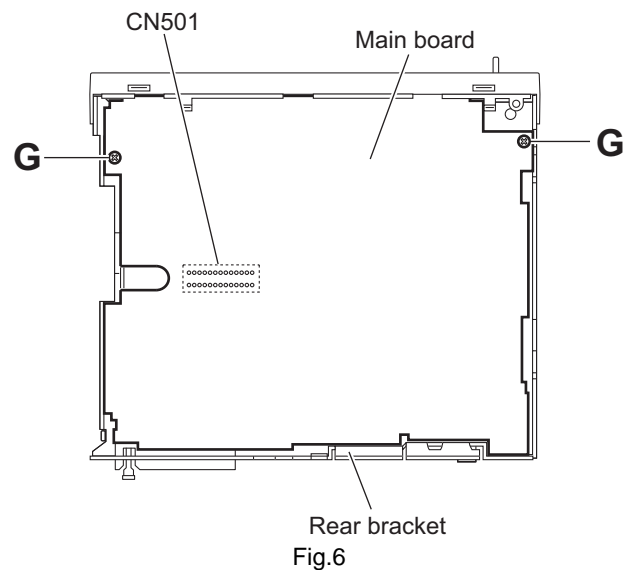


### 3.1.6 Removing the main board (See Figs.5 and 6)

- Prior to performing the following procedures, remove the front panel assembly, bottom cover and side panel.
- Remove the front chassis assembly as required.
  - (1) Remove the three screws **D** attaching the rear bracket on the back side of the main body. (See Fig.5.)
  - (2) Remove the two screws **G** attaching the main board. (See Fig.6.)
  - (3) Disconnect the connector [CN501](#) on the main board from the main body and take out the main board with the rear bracket. (See Fig.6.)

#### Reference:

Remove the rear bracket from the main body as required. (See "3.1.5 Removing the rear bracket".)



**3.1.7 Removing the CD mechanism assembly  
(See Fig. 7)**

- Prior to performing the following procedure, remove the front panel assembly, bottom cover, side panel, rear bracket and main board.
- Remove the front chassis assembly as required.
  - (1) Remove the three screws **H** attaching the CD mechanism assembly on the top chassis.
  - (2) Take out the CD mechanism assembly.

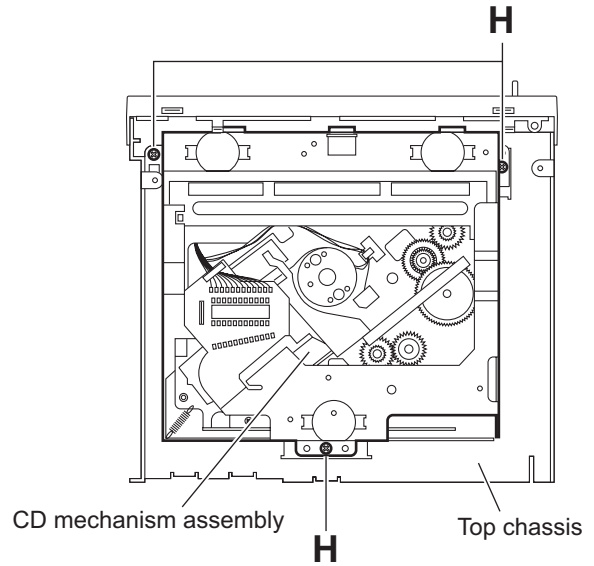


Fig.7

**3.1.8 Removing the front board  
(See Figs.8 to 10)**

- Prior to performing the following procedures, remove the front panel assembly.
- (1) Remove the four screws **J** on the back side of the front panel assembly. (See Fig.8.)
- (2) Release the ten joints **f** and remove the rear cover. (See Fig.9.)
- (3) Release the joint **g** and take out the front board from the front panel assembly. (See Fig.10.)

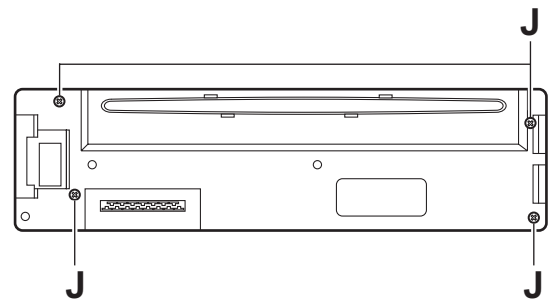


Fig.8

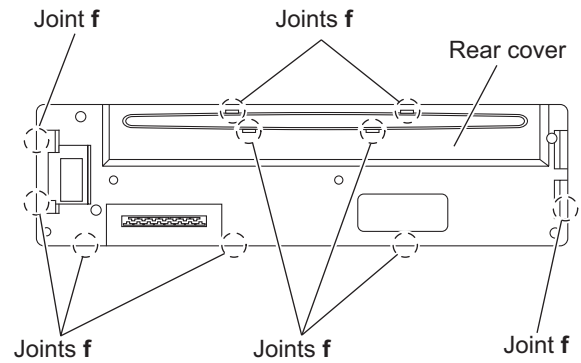


Fig.9

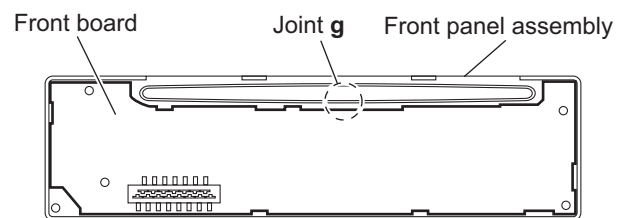


Fig.10

### 3.2 CD Mechanism Assembly

#### 3.2.1 Removing the top cover (See Figs.1 and 2)

- (1) Remove the two screws **A** on the both side of the body.
- (2) Lift the front side of the top cover and move the top cover backward to release the two joints **a**.

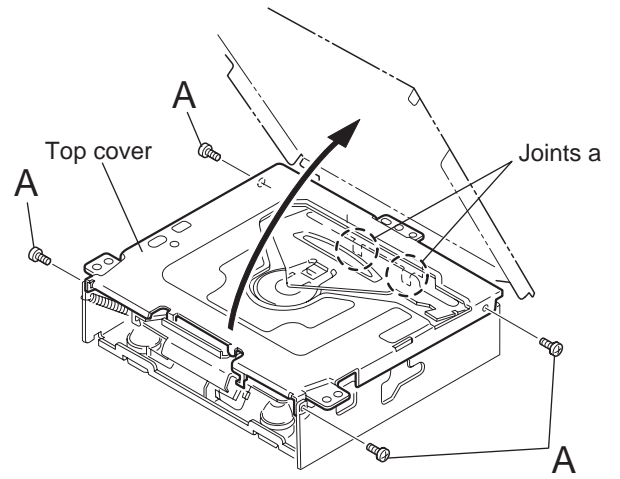


Fig.1

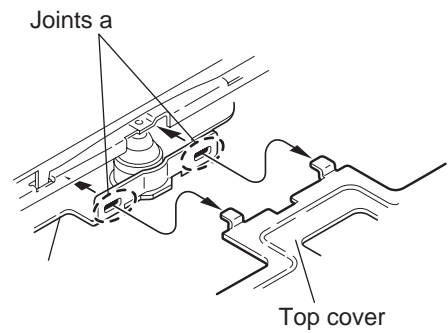


Fig.2

### 3.2.2 Removing the connector board (See Figs.3 to 5)

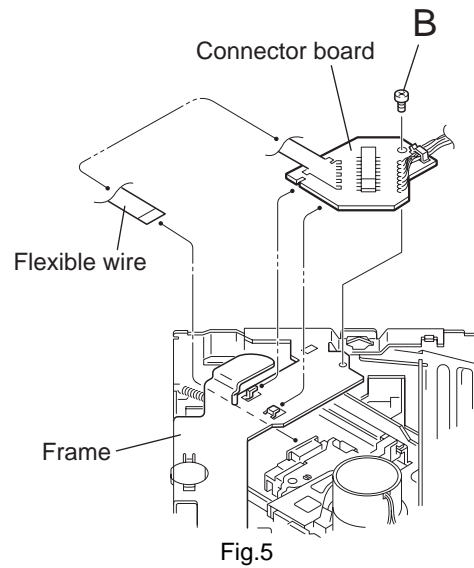
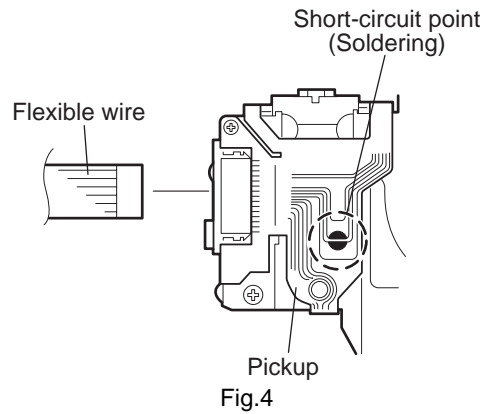
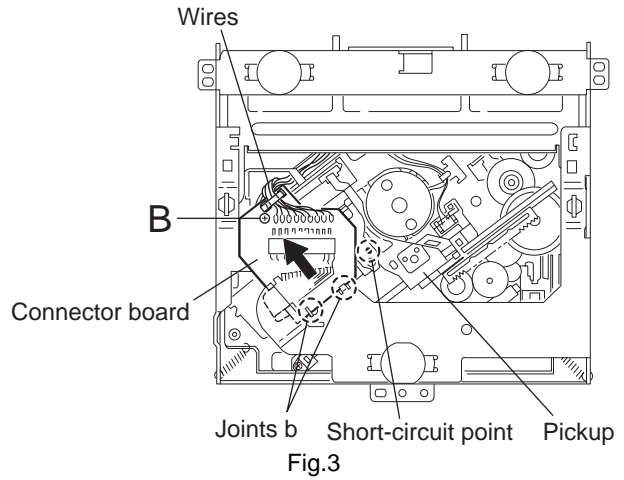
#### CAUTION:

Before disconnecting the flexible wire from the pickup, solder the short-circuit point on the pickup. No observance of this instruction may cause damage of the pickup.

- (1) Remove the screw **B** fixing the connector board.
- (2) Solder the short-circuit point on the connector board.
- (3) Disconnect the flexible wire from the pickup.
- (4) Move the connector board in the direction of the arrow to release the two joints **b**.
- (5) Unsolder the wire on the connector board if necessary.

#### CAUTION:

Unsolder the short-circuit point after reassembling.



### 3.2.3 Removing the DET switch (See Figs.6 and 7)

- (1) Extend the two tabs **c** of the feed sw. holder and pull out the switch.
- (2) Unsolder the DET switch wire if necessary.

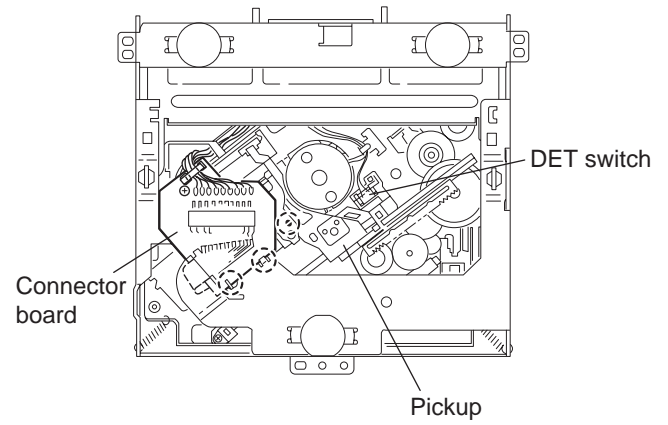


Fig.6

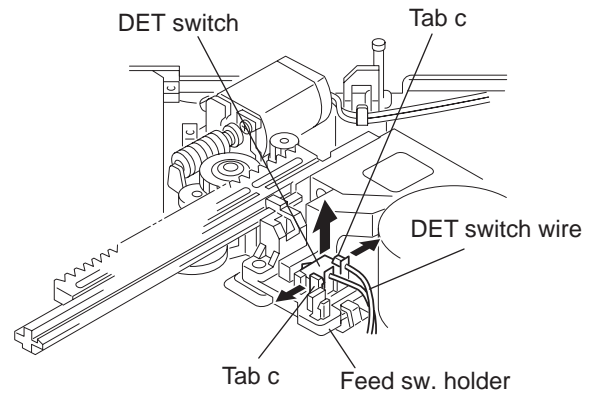


Fig.7



### 3.2.4 Removing the chassis unit (See Figs.8 and 9)

- Prior to performing the following procedure, remove the top cover and connector board.  
(1) Remove the two suspension springs (L) and (R) attaching the chassis unit to the frame.

**CAUTION:**

- The shape of the suspension spring (L) and (R) are different. Handle them with care.
- When reassembling, make sure that the three shafts on the underside of the chassis unit are inserted to the dampers certainly.

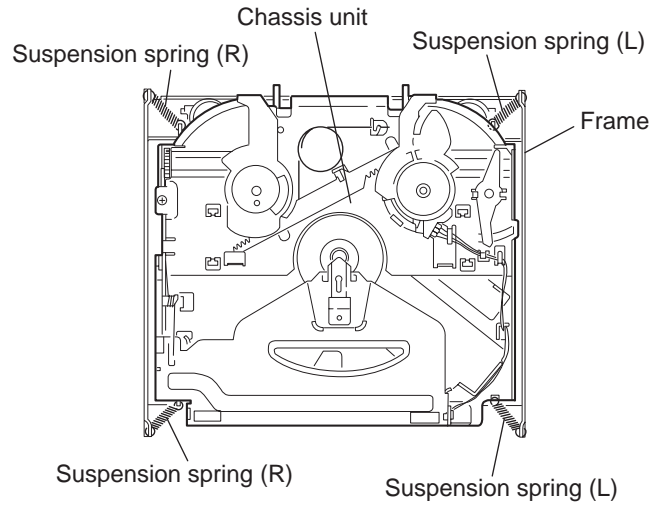


Fig.8

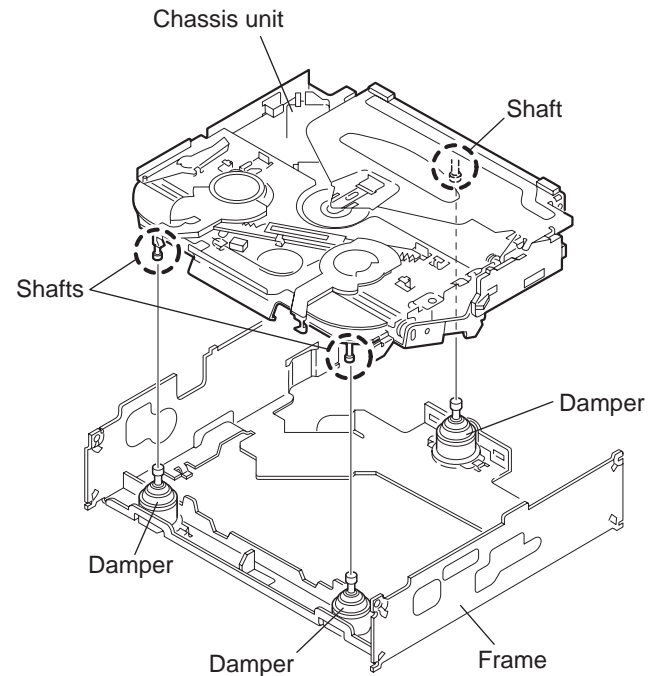
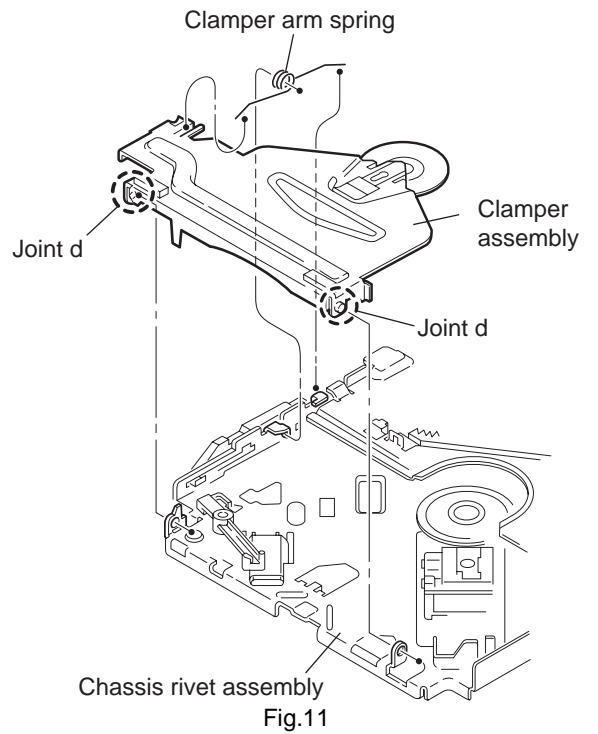
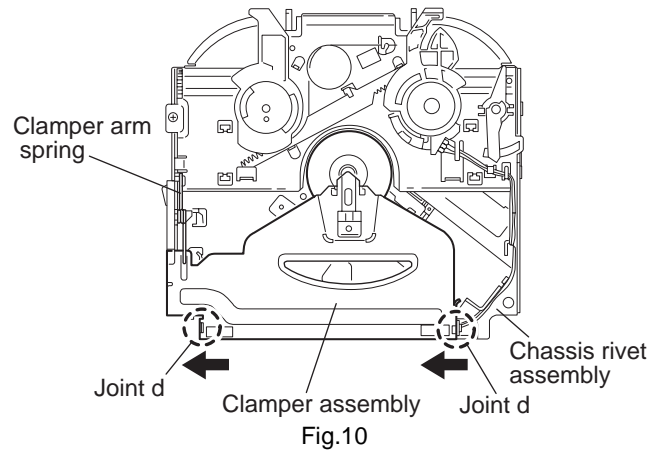


Fig.9

### 3.2.5 Removing the clamper assembly (See Figs.10 and 11)

- Prior to performing the following procedure, remove the top cover.
  - (1) Remove the clamper arm spring.
  - (2) Move the clamper assembly in the direction of the arrow to release the two joints **d**.

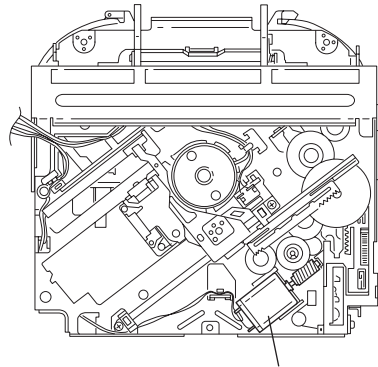


### 3.2.6 Removing the loading / feed motor assembly (See Figs.12 and 13)

- Prior to performing the following procedure, remove the top cover, connector board and chassis unit.
  - (1) Remove the screw **C** and move the loading / feed motor assembly in the direction of the arrow to remove it from the chassis rivet assembly.
  - (2) Disconnect the wire from the loading / feed motor assembly if necessary.

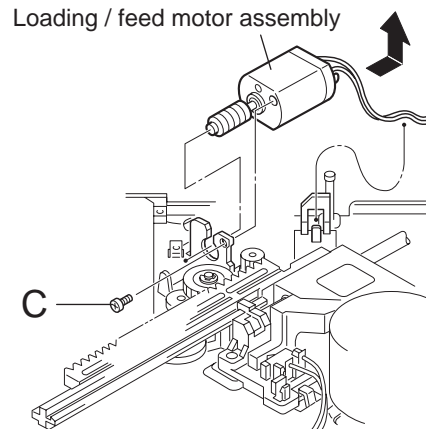
**CAUTION:**

When reassembling, connect the wire from the loading / feed motor assembly to the flame as shown in Fig.12.



Loading / feed motor assembly

Fig.12



Loading / feed motor assembly

Fig.13

### 3.2.7 Removing the pickup unit (See Figs.14 to 18)

- Prior to performing the following procedure, remove the top cover, connector board and chassis unit.
  - (1) Remove the screw **D** and pull out the pu. shaft holder from the pu. shaft.
  - (2) Remove the screw **E** attaching the feed sw. holder.
  - (3) Move the part **e** of the pickup unit upward with the pu. shaft and the feed sw. holder, then release the joint **f** of the feed sw. holder in the direction of the arrow. The joint **g** of the pickup unit and the feed rack is released, and the feed sw. holder comes off.
  - (4) Remove the pu. shaft from the pickup unit.
  - (5) Remove the screw **F** attaching the feed rack to the pickup unit.

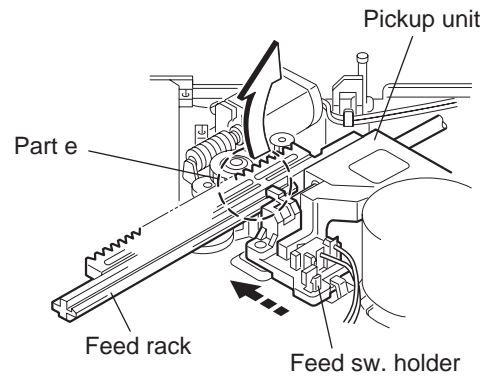


Fig.15

### 3.2.8 Reattaching the pickup unit (See Figs.14 to 17)

- (1) Reattach the feed rack to the pickup unit using the screw **F**.
- (2) Reattach the feed sw. holder to the feed rack while setting the joint **g** to the slot of the feed rack and setting the part **f** of the feed rack to the switch of the feed sw. holder correctly.
- (3) As the feed sw. holder is temporarily attached to the pickup unit, set to the gear of the joint **g** and to the bending part of the chassis (joint **h**) at a time.

**CAUTION:**

Make sure that the part **i** on the underside of the feed rack is certainly inserted to the slot **j** of the change lock lever.

- (4) Reattach the feed sw. holder using the screw **E**.
- (5) Reattach the pu. shaft to the pickup unit. Reattach the pu. shaft holder to the pu. shaft using the screw **D**.

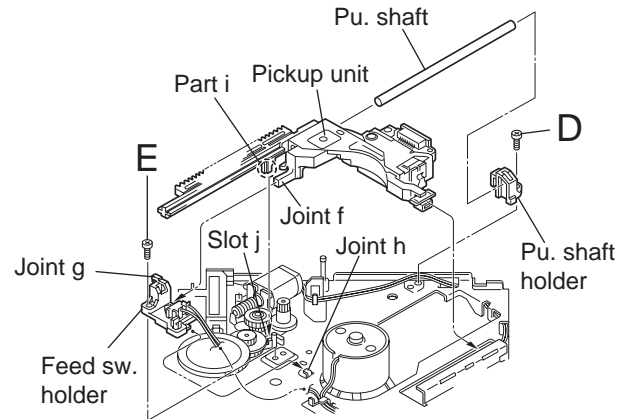


Fig.16

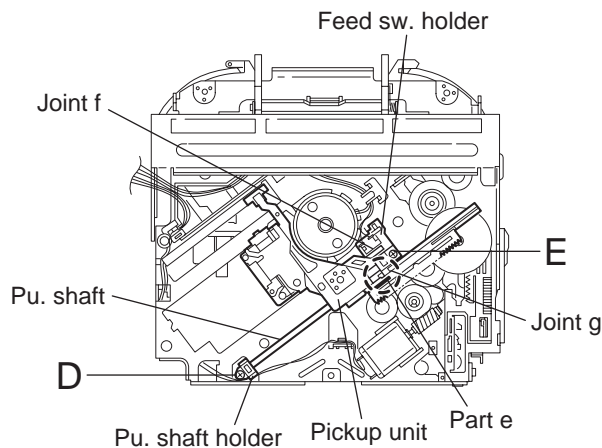


Fig.14

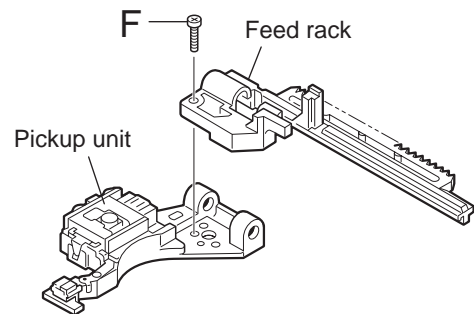


Fig.17

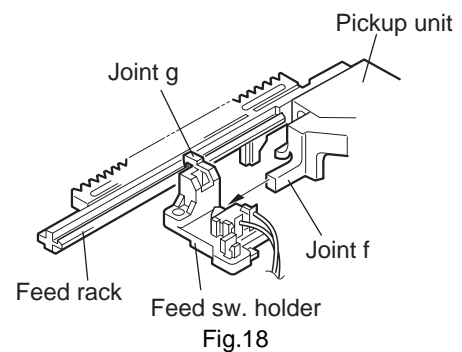


Fig.18

### 3.2.9 Removing the trigger arm (See Figs.19 and 20)

- Prior to performing the following procedure, remove the top cover, connector board and clamper unit.
  - (1) Turn the trigger arm in the direction of the arrow to release the joint **k** and pull out upward.

**CAUTION:**

When reassembling, insert the part **m** and **n** of the trigger arm into the part **p** and **q** at the slot of the chassis rivet assembly respectively and join the joint **k** at a time.

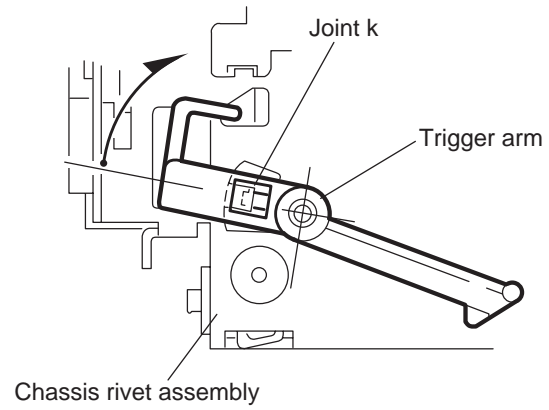


Fig.19

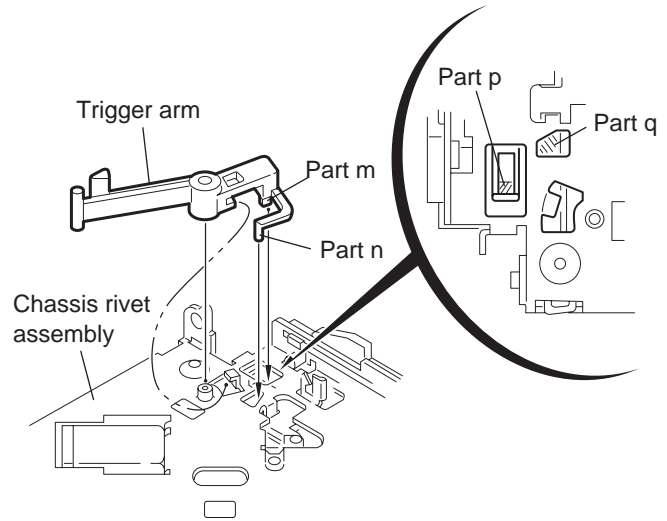


Fig.20

### 3.2.10 Removing the top plate assembly (See Fig.21)

- Prior to performing the following procedure, remove the top cover, connector board, chassis unit, and clamper assembly.
  - (1) Remove the screw **H**.
  - (2) Move the top plate assembly in the direction of the arrow to release the two joints **r**.
  - (3) Unsolder the wire marked **s** if necessary.

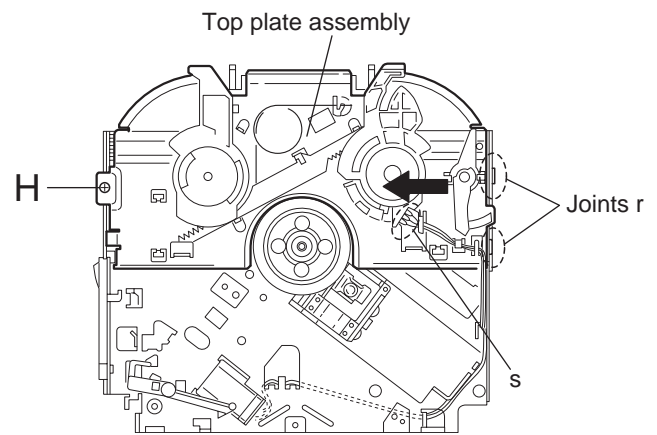


Fig.21

### 3.2.11 Removing the mode sw. / select lock arm (See Figs.22 and 23)

- Prior to performing the following procedure, remove the top plate assembly.
  - (1) Bring up the mode sw. to release from the link plate (joint t) and turn in the direction of the arrow to release the joint u.
  - (2) Unsolder the wire of the mode sw. marked s if necessary.
  - (3) Turn the select lock arm in the direction of the arrow to release the two joints v.
  - (4) The select lock arm spring comes off the select lock arm at the same time.

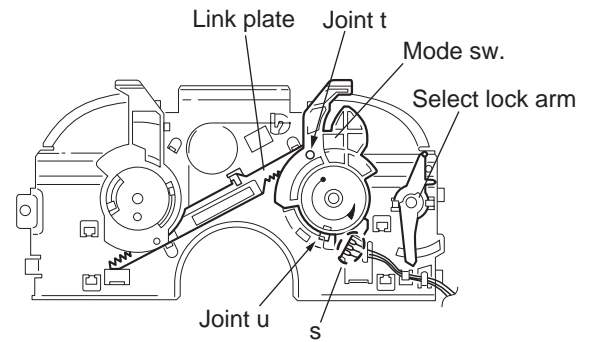


Fig.22

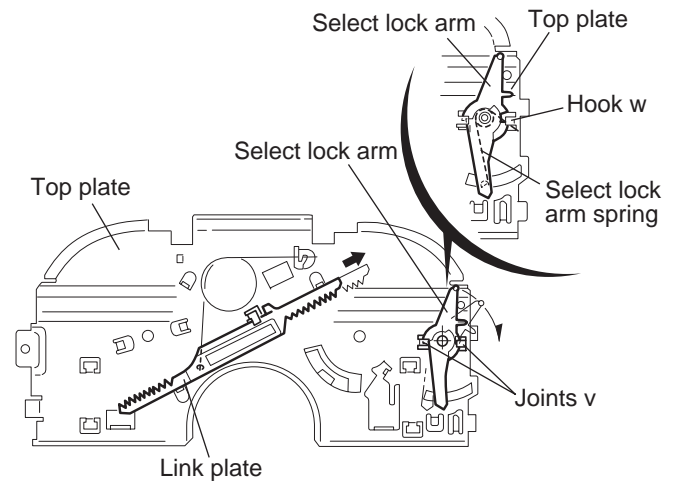


Fig.23

### 3.2.12 Reassembling the mode sw. / select lock arm (See Figs.24 to 26)

#### REFERENCE:

Reverse the above removing procedure.

- (1) Reattach the select lock arm spring to the top plate and set the shorter end of the select lock arm spring to the hook w on the top plate.
- (2) Set the other longer end of the select lock arm spring to the boss x on the underside of the select lock arm, and join the select lock arm to the slots (joint v). Turn the select lock arm as shown in the figure.
- (3) Reattach the mode sw. while setting the part t to the first peak of the link plate gear, and join the joint u.

#### CAUTION:

When reattaching the mode sw., check if the points y and z are correctly fitted and if each part operates properly.

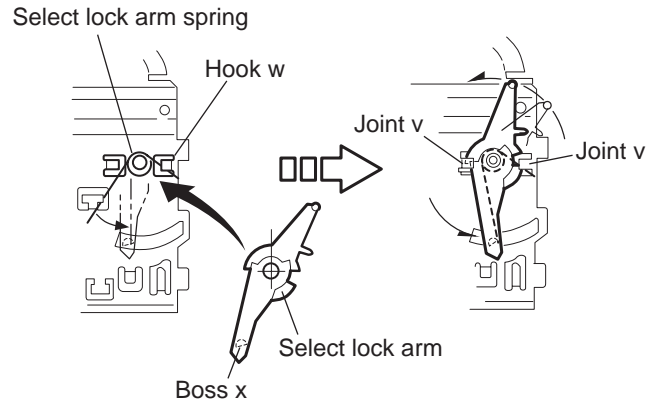


Fig.24

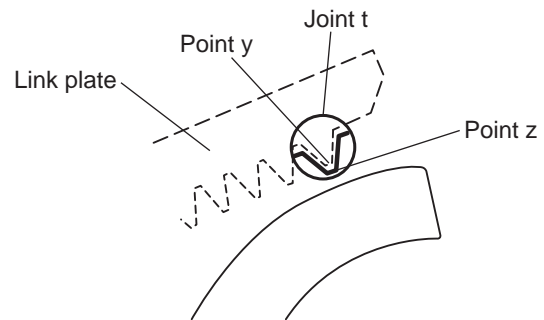


Fig.25

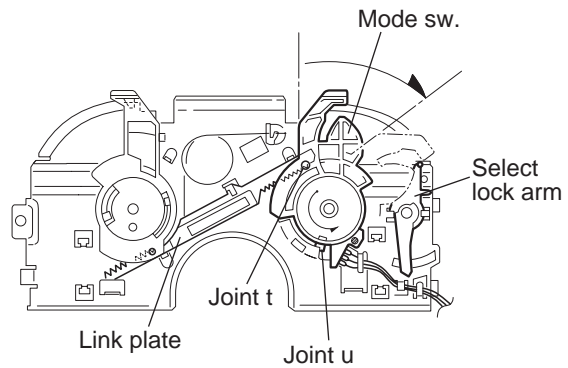


Fig.26

**3.2.13 Removing the select arm R / link plate**  
**(See Figs.27 and 28)**

- Prior to performing the following procedure, remove the top plate assembly.
  - (1) Bring up the select arm R to release from the link plate (joint a') and turn as shown in the figure to release the two joints b' and joint c'.
  - (2) Move the link plate in the direction of the arrow to release the joint d'. Remove the link plate spring at the same time.

**REFERENCE:**

Before removing the link plate, remove the mode sw..

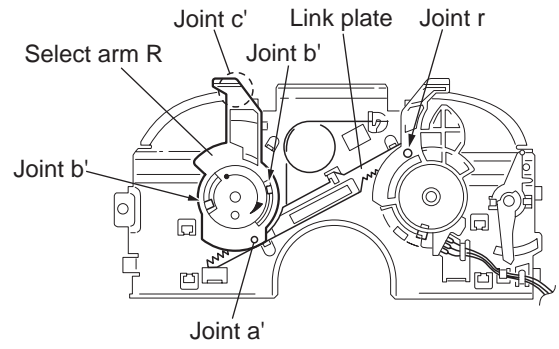


Fig.27

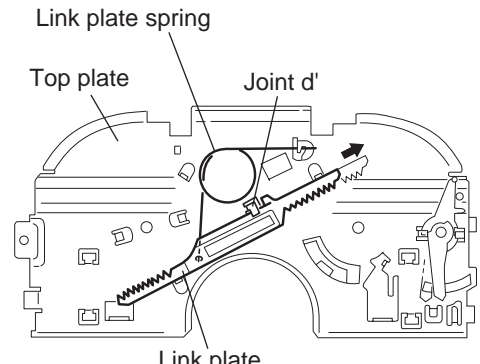


Fig.28

**3.2.14 Reattaching the Select arm R / link plate**  
**(See Figs.29 and 30)**

**REFERENCE:**

Reverse the above removing procedure.

- (1) Reattach the link plate spring.
- (2) Reattach the link plate to the link plate spring while joining them at joint d'.
- (3) Reattach the joint a' of the select arm R to the first peak of the link plate while joining the two joints b' with the slots. Then turn the select arm R as shown in the figure. The top plate is joined to the joint c'.

**CAUTION:**

When reattaching the select arm R, check if the points e' and f' are correctly fitted and if each part operates properly.

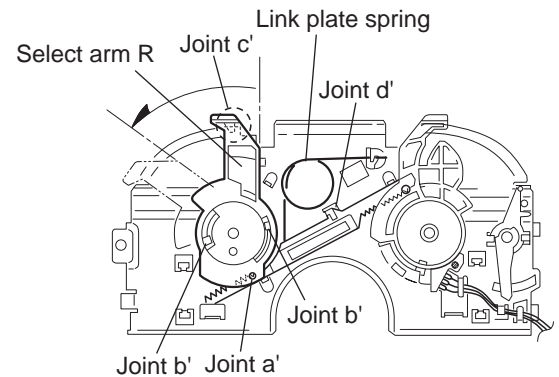


Fig.29

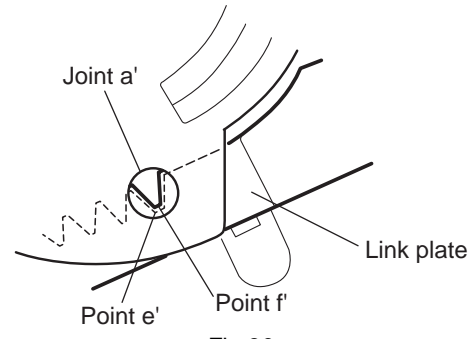


Fig.30



### 3.2.15 Removing the loading roller assembly (See Figs.31 to 33)

- Prior to performing the following procedure, remove the clamper assembly and top plate assembly.
  - (1) Push inward the loading roller assembly on the gear side and detach it upward from the slot of the joint **g'** of the lock arm rivet assembly.
  - (2) Detach the loading roller assembly from the slot of the joint **h'** of the lock arm rivet assembly.

The roller guide comes off the gear section of the loading roller assembly.

Remove the roller guide and the HL washer from the shaft of the loading roller assembly.

- (3) Remove the screw **J** attaching the lock arm rivet assembly.
- (4) Push the shaft at the joint **i'** of the lock arm rivet assembly inward to release the lock arm rivet assembly from the slot of the **L** side plate.
- (5) Extend the lock arm rivet assembly outward and release the joint **j'** from the boss of the chassis rivet assembly. The roller guide springs on both sides come off at the same time.

#### CAUTION:

When reassembling, reattach the left and right roller guide springs to the lock arm rivet assembly before reattaching the lock arm rivet assembly to the chassis rivet assembly. Make sure to fit the part **k'** of the roller guide spring inside of the roller guide. (Refer to Fig.34.)

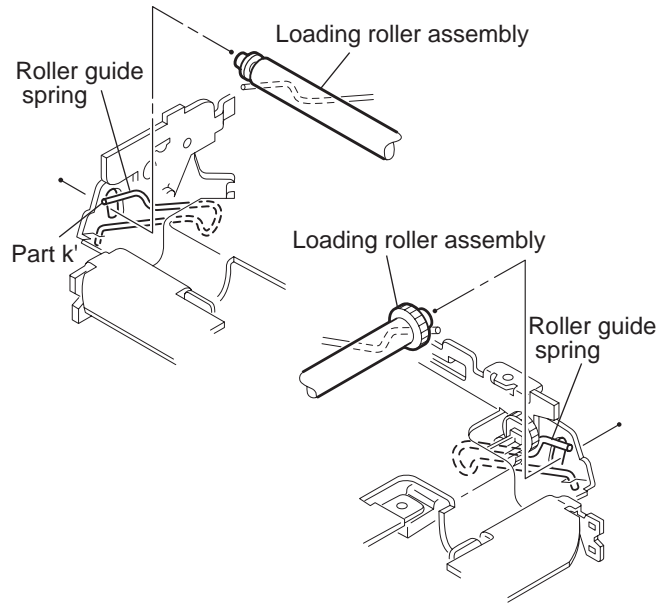


Fig.32

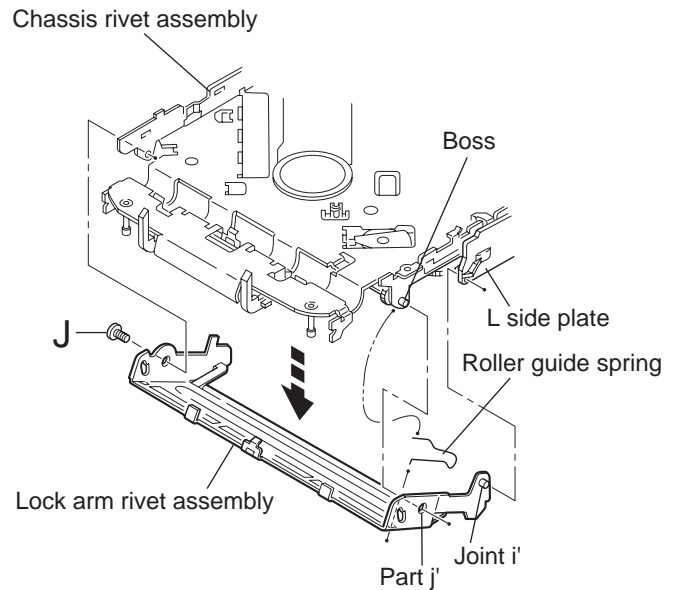


Fig.33

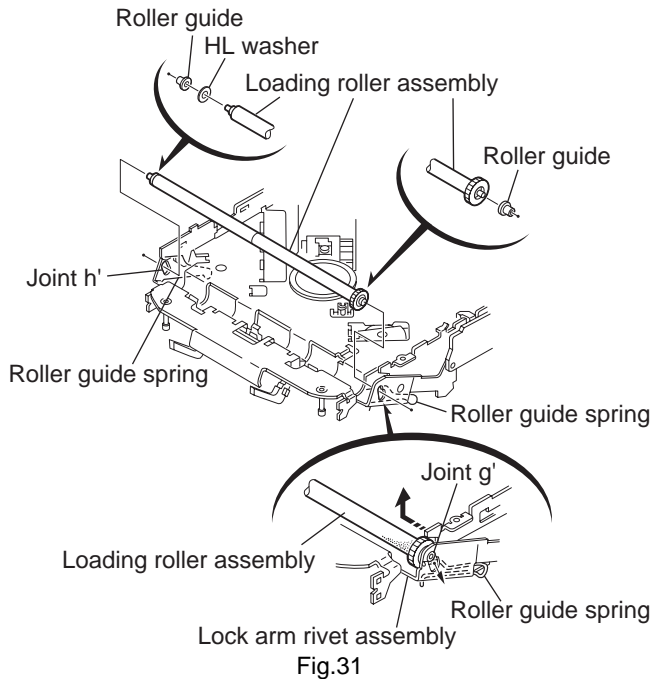


Fig.31

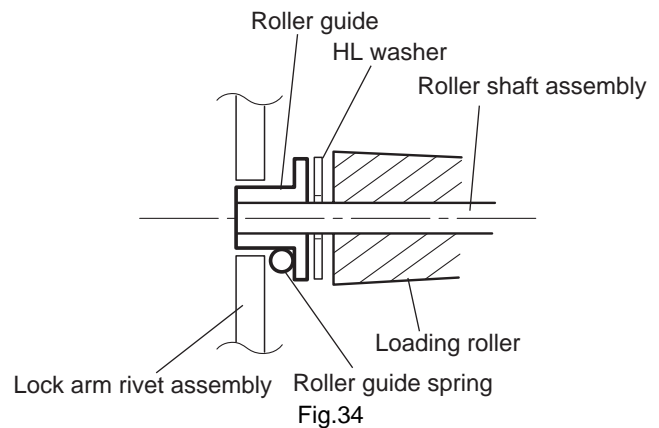


Fig.34

### 3.2.16 Removing the loading gear 5, 6 and 7 (See Figs.35 and 36)

- Prior to performing the following procedure, remove the top cover, chassis unit, pickup unit and top plate assembly.
  - (1) Remove the screw **K** attaching the loading gear bracket.  
The loading gear 6 and 7 come off the loading gear bracket.
  - (2) Pull out the loading gear 5.

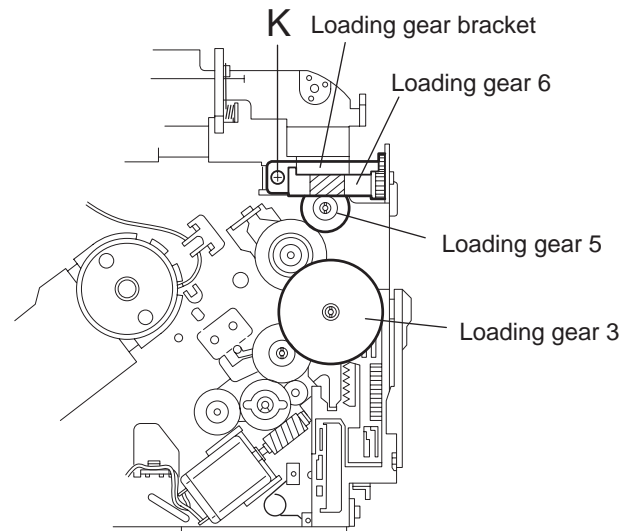


Fig.35

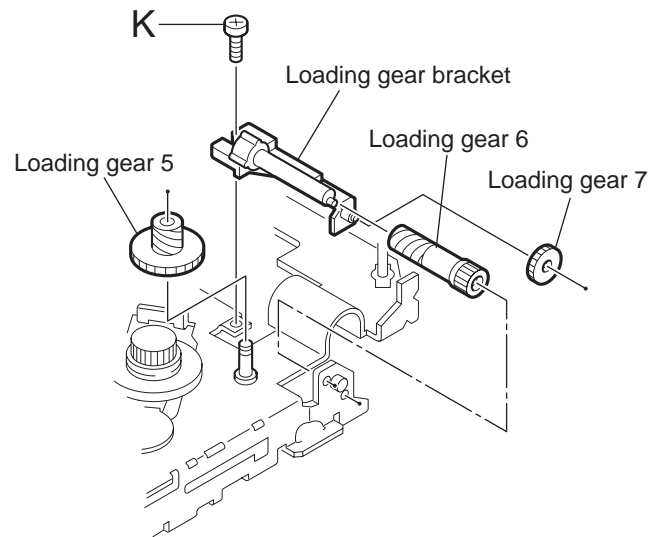


Fig.36

### 3.2.17 Removing the gears (See Figs.37 to 40)

- Prior to performing the following procedure, remove the top cover, chassis unit, top plate assembly and pickup unit.
- Pull out the loading gear 3. (See Fig.35.)
  - (1) Pull out the feed gear.
  - (2) Move the loading plate assembly in the direction of the arrow to release the L side plate from the two slots m' of the chassis rivet assembly. (See Fig.37.)
  - (3) Detach the loading plate assembly upward from the chassis rivet assembly while releasing the joint n'. Remove the slide hook and loading plate spring from the loading plate assembly.
  - (4) Pull out the loading gear 2 and remove the change lock lever.
  - (5) Remove the E ring and washer attaching the changer gear 2.
  - (6) The changer gear 2, change gear spring and adjusting washer come off.
  - (7) Remove the loading gear 1.
  - (8) Move the change plate rivet assembly in the direction of the arrow to release from the three shafts of the chassis rivet assembly upward. (See Fig.38.)
  - (9) Detach the loading gear plate rivet assembly from the shaft of the chassis rivet assembly upward while releasing the joint p'. (See Figs.38 and 40.)
  - (10) Pull out the loading gear 4.

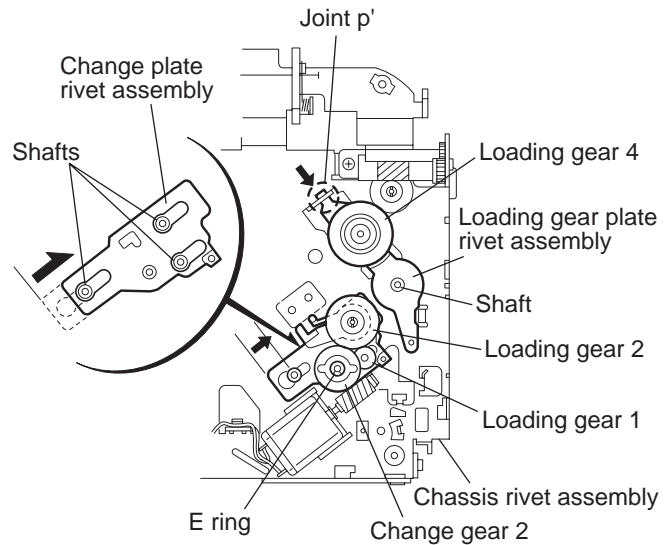
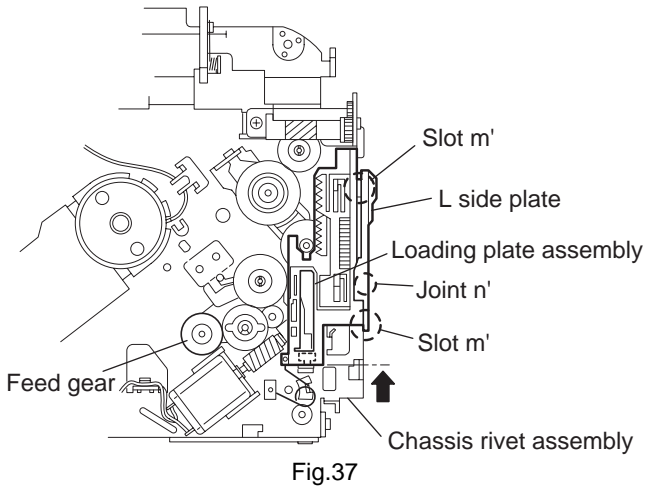


Fig.38

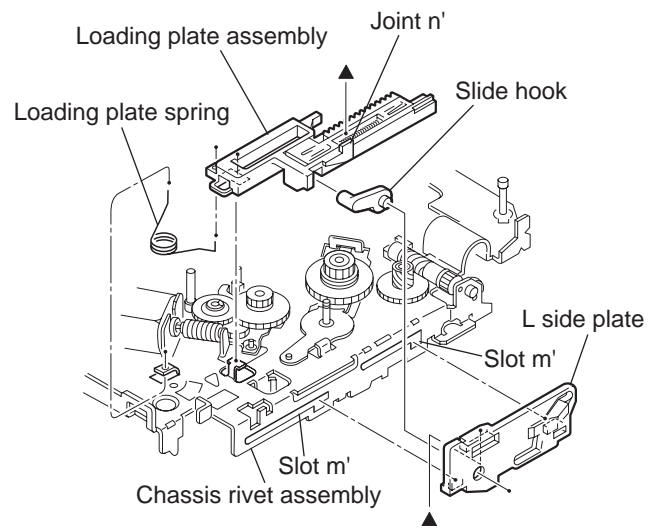


Fig.39

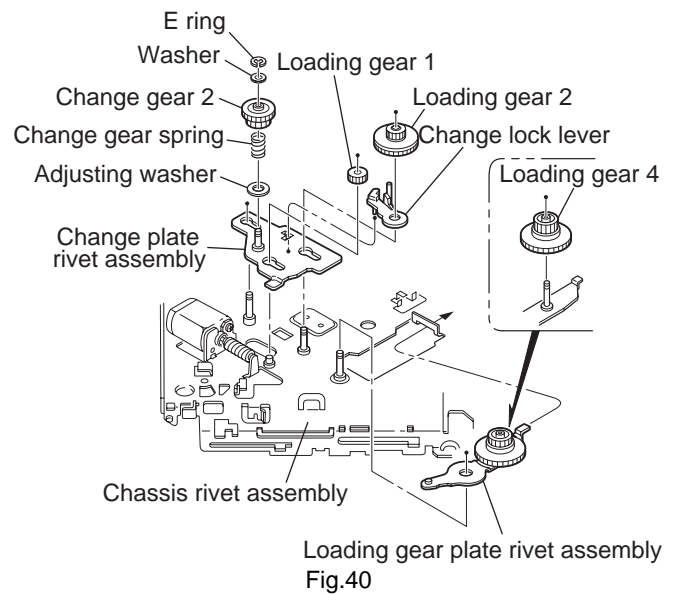
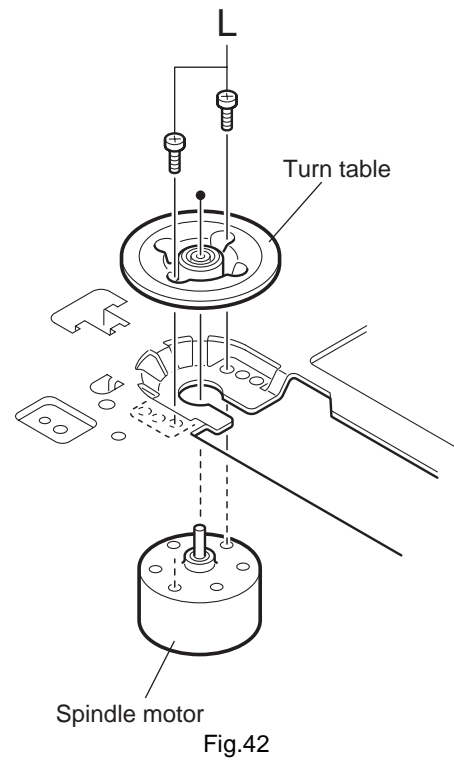
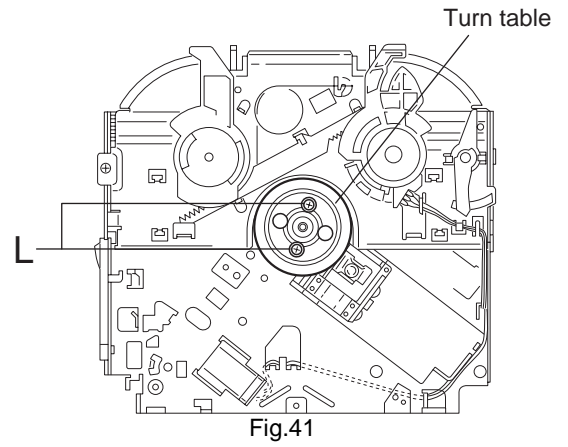


Fig.40

### 3.2.18 Removing the turn table / spindle motor (See Figs.41 and 42)

- Prior to performing the following procedure, remove the top cover, connector board, chassis unit and clamper assembly.
  - (1) Remove the two screws L attaching the spindle motor assembly through the slot of the turn table on top of the body.
  - (2) Unsolder the wire on the connector board if necessary.



## SECTION 4 ADJUSTMENT

### 4.1 Adjustment method

#### ■ Test instruments required for adjustment

- (1) Digital oscilloscope (100MHz)
- (2) AM Standard signal generator
- (3) FM Standard signal generator
- (4) Stereo modulator
- (5) Electric voltmeter
- (6) Digital tester
- (7) Tracking offset meter
- (8) Test Disc JVC :CTS-1000
- (9) Extension cable for check  
EXTSH002-22P × 1

#### ■ Standard volume position

Balance and Bass & Treble volume : Indication "0"  
Loudness : OFF

#### ■ How to connect the extension cable for adjusting

##### Caution:

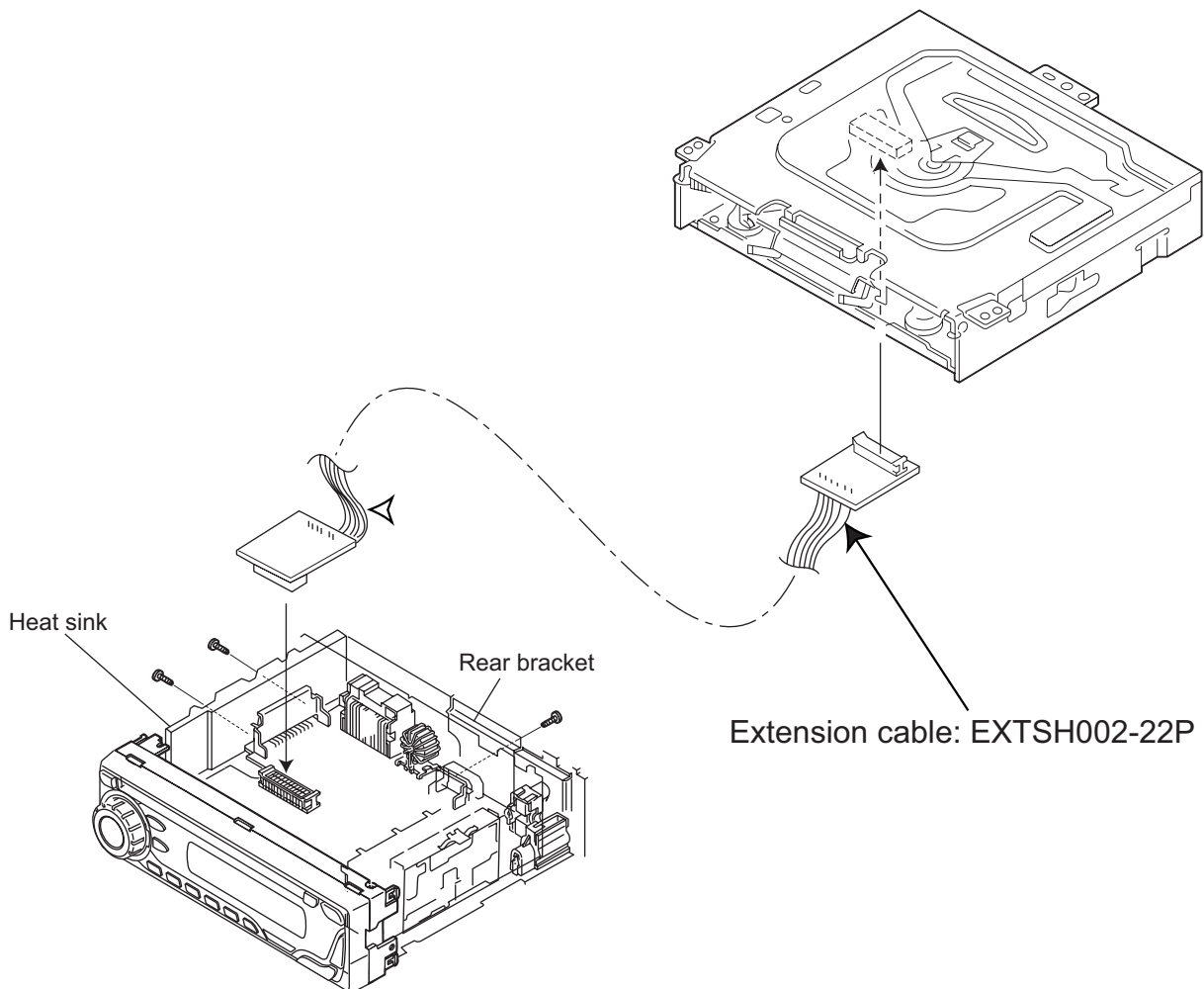
Be sure to attach the heat sink and rear bracket onto the power amplifier IC and regulator IC respectively, before supply the power. If voltage is applied without attaching these parts, the power amplifier IC and regulator IC will be destroyed by heat.

#### ■ Standard measuring conditions

Power supply voltage	DC14.4V(11 to 16V)
Load impedance	20K $\Omega$ (2 Speakers connection)
Output Level	Line out 2.0V (Vol. MAX)

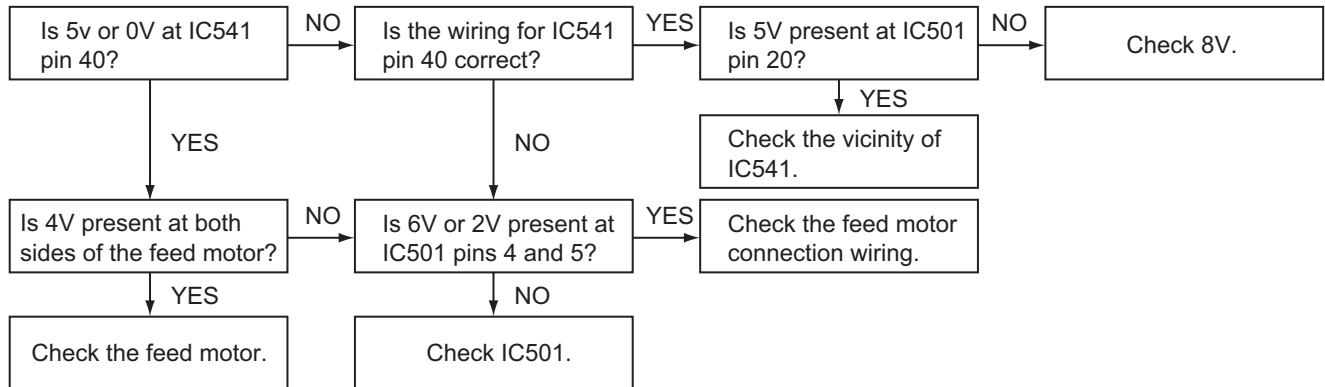
#### ■ Dummy load

Exclusive dummy load should be used for AM, and FM. For FM dummy load, there is a loss of 6dB between SSG output and antenna input. The loss of 6dB need not be considered since direct reading of figures are applied in this working standard.

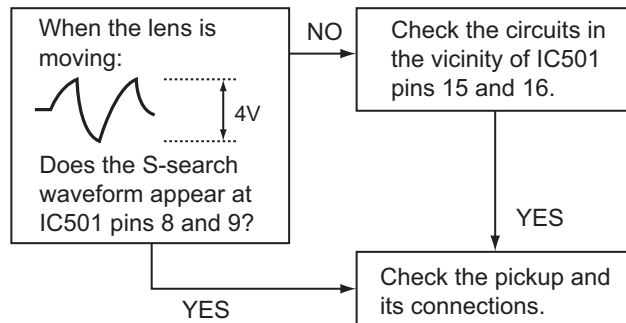


## SECTION 5 TROUBLESHOOTING

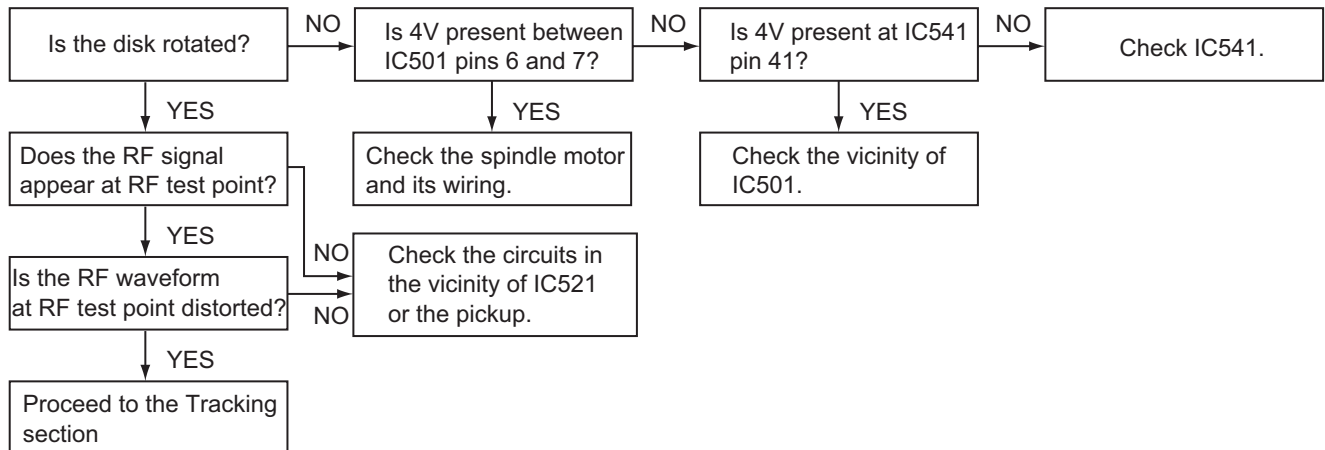
### 5.1 Feed section



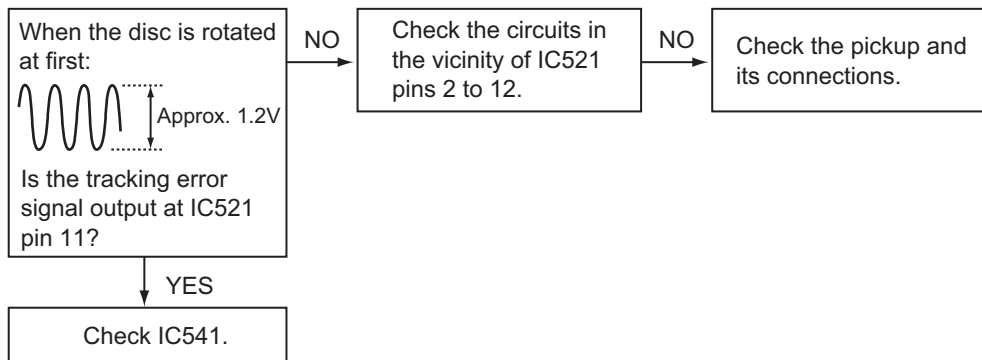
### 5.2 Focus section



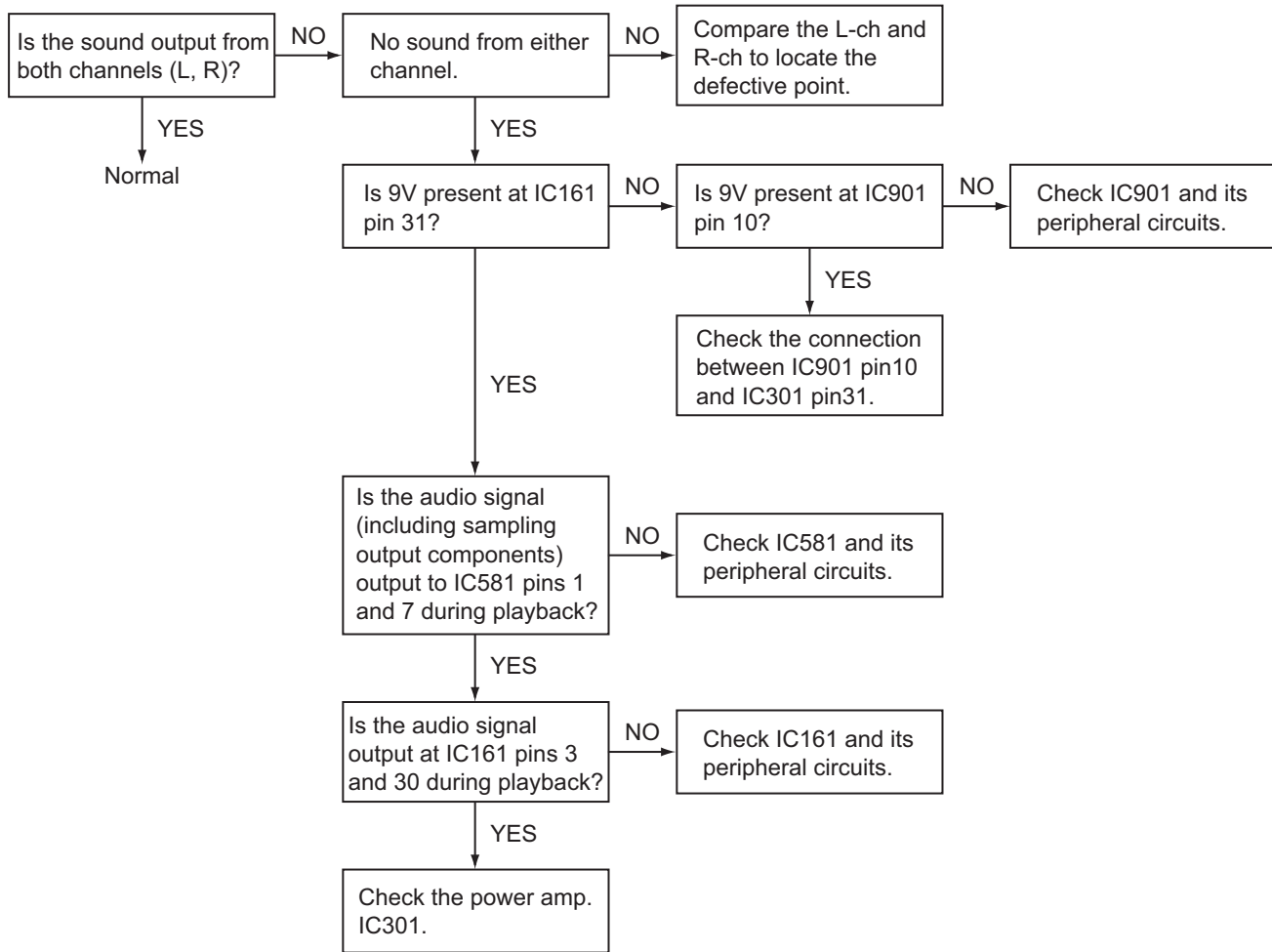
### 5.3 Spindle section



### 5.4 Tracking section

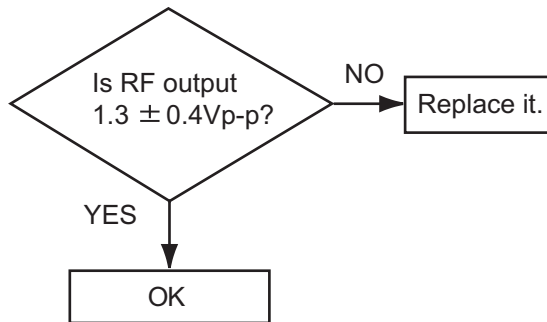


## 5.5 Signal processing section



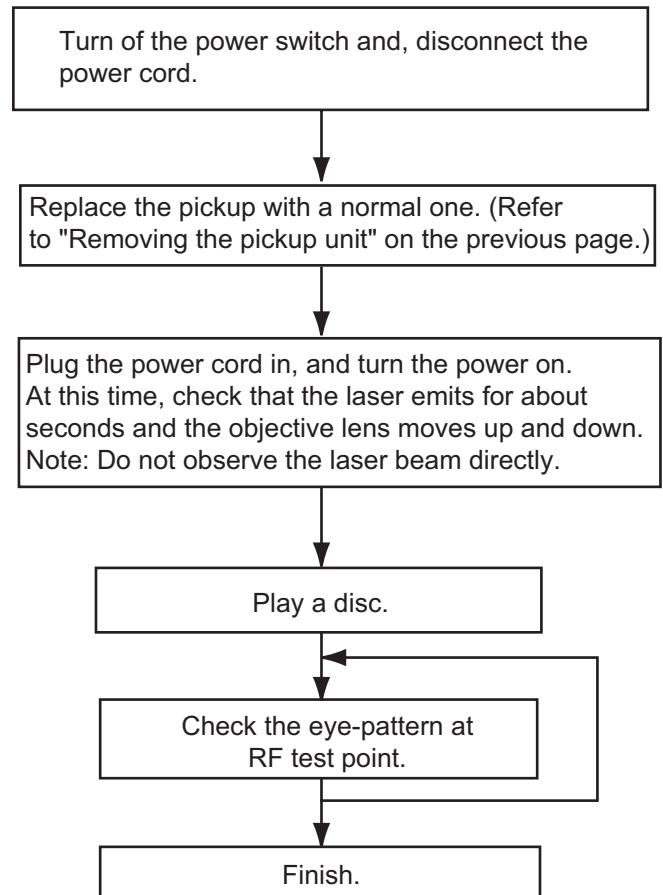
## 5.6 Maintenance of laser pickup

- (1) Cleaning the pick up lens  
Before you replace the pick up, please try to clean the lens with a alcohol soaked cotton swab.
- (2) Life of the laser diode  
When the life of the laser diode has expired, the following symptoms will appear.
  - The level of RF output (EFM output: amplitude of eye pattern) will be low.



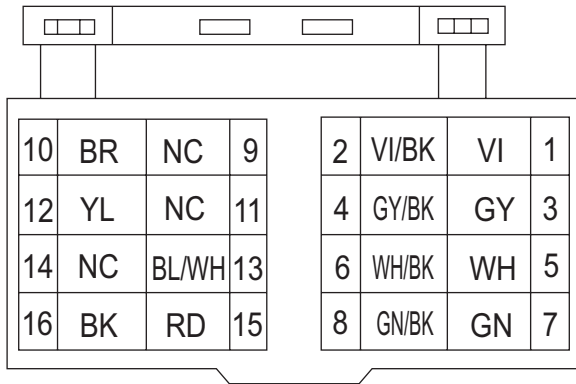
- (3) Semi-fixed resistor on the APC PC board  
The semi-fixed resistor on the APC printed circuit board which is attached to the pickup is used to adjust the laser power. Since this adjustment should be performed to match the characteristics of the whole optical block, do not touch the semi-fixed resistor.  
If the laser power is lower than the specified value, the laser diode is almost worn out, and the laser pickup should be replaced. If the semi-fixed resistor is adjusted while the pickup is functioning normally, the laser pickup may be damaged due to excessive current.

## 5.7 Replacement of laser pickup





5.8 16 pin cord diagram



BK	Black	GN	Green
RD	Red	VI	Violet
BL	Blue	GY	Gray
WH	White	YL	Yellow
BR	Brown		



RR	Rear Right	ANT	Auto Antenna
FR	Front Right	ACC	ACC Line
FL	Front Left	TEL	Telephone Muting
RL	Rear Left	GND	Ground
REMOTE	Remote	MEMORY	Memory Backup Battery+

# JVC

# SCHEMATIC DIAGRAMS

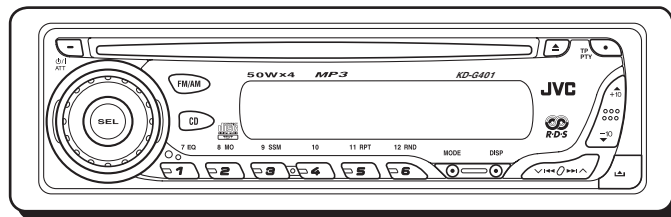
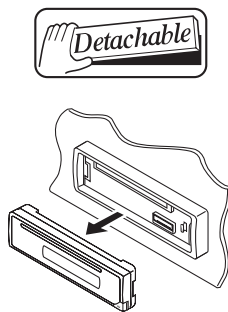
## CD RECEIVER

### KD-G401

CD-ROM No.SML200401

Area suffix

E ----- Continental Europe  
EX ----- Central Europe



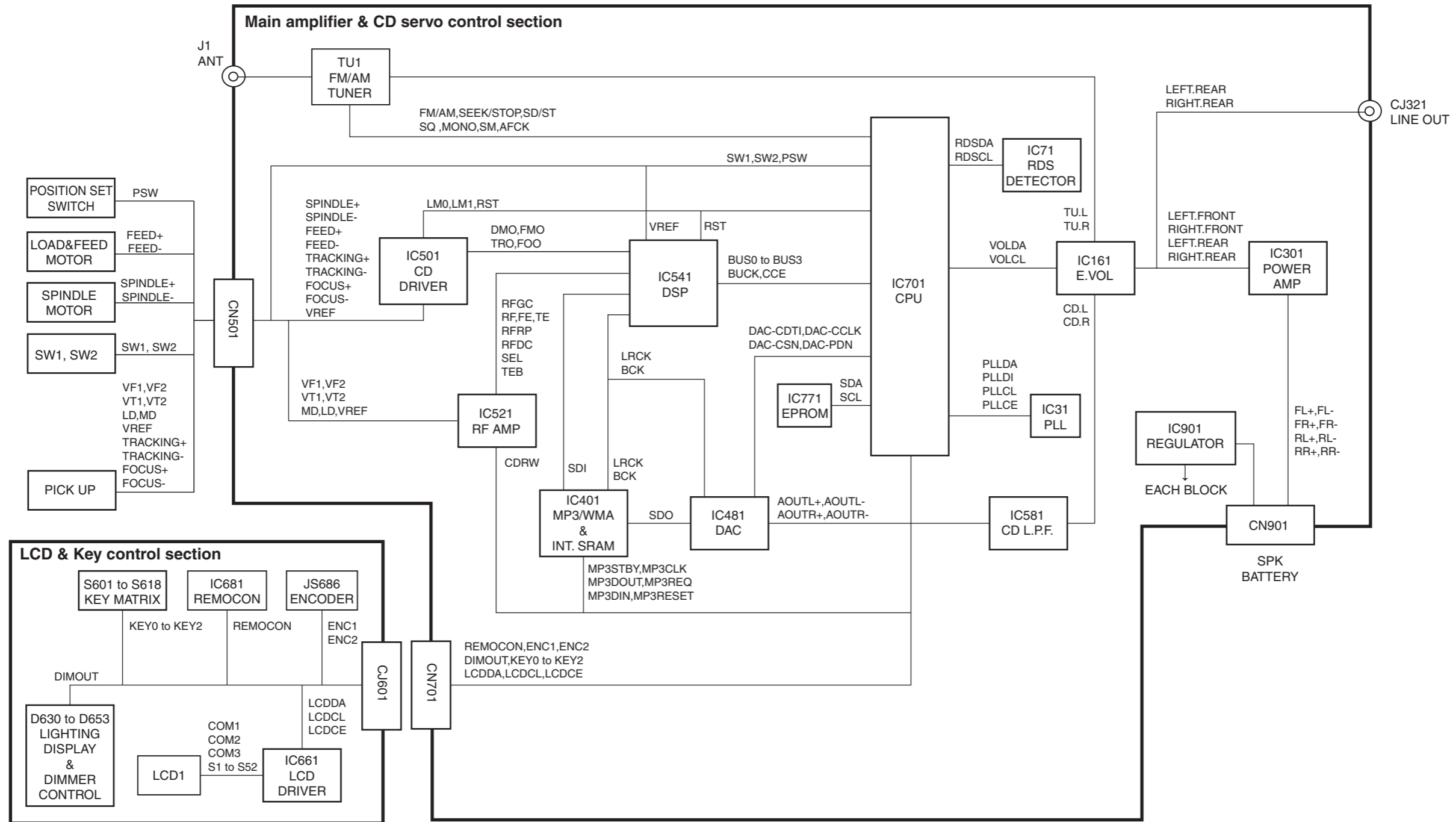
**MP3**



### Contents

Block diagram .....	2-1
Standard schematic diagrams .....	2-2
Printed circuit boards .....	2-5 to 7

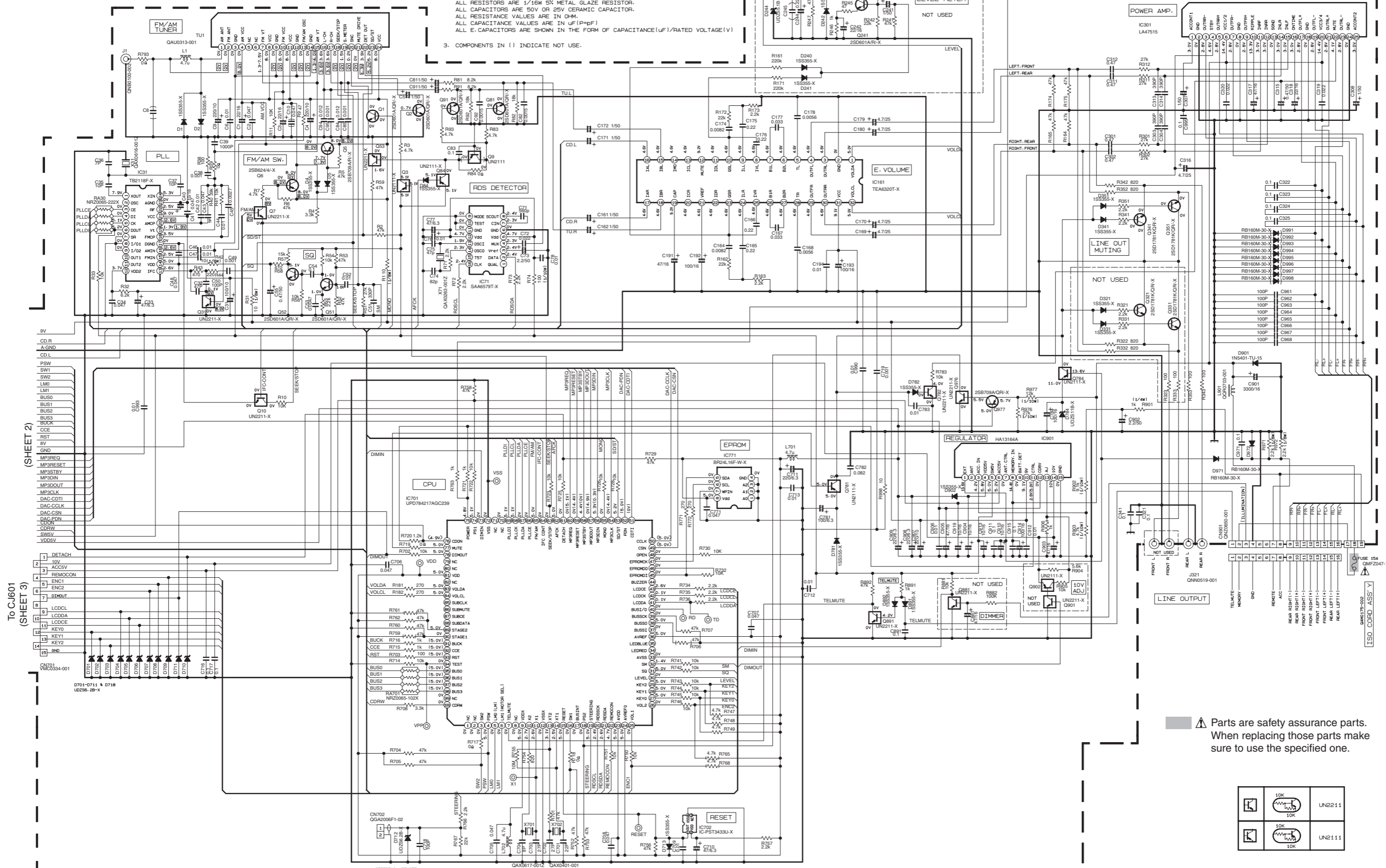
# Block diagram



# Standard schematic diagrams

## ■ Main amplifier section

- NOTES
1. VOLTAGES ARE DC-MEASURED WITH A DIGITAL VOLT METER WITHOUT INPUT SIGNAL CONDITION—FM MODE. □ AM MODE. □ IC MODE.
  2. UNLESS OTHERWISE SPECIFIED.  
ALL RESISTORS ARE 1/16W 5% METAL GLAZE RESISTOR.  
ALL CAPACITORS ARE 50V OR 25V CERAMIC CAPACITOR.  
ALL RESISTANCE VALUES ARE IN OHM.  
ALL CAPACITANCE VALUES ARE IN UF (PF).  
ALL E-CAPACITORS ARE SHOWN IN THE FORM OF CAPACITANCE(UF)/RATED VOLTAGE(V)
  3. COMPONENTS IN ( ) INDICATE NOT USED.

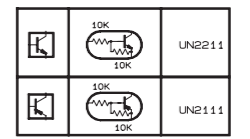


(SHEET 2)

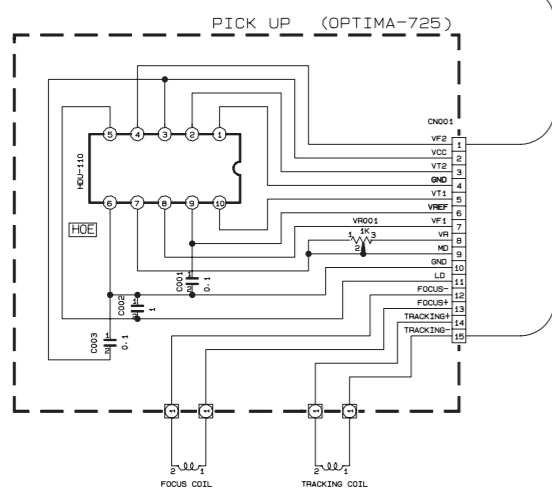
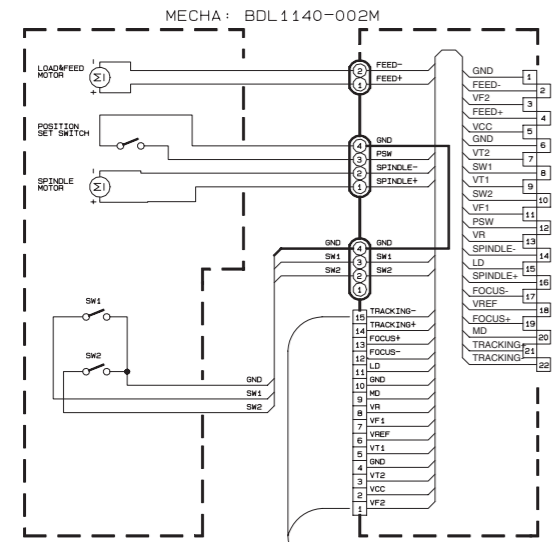
(SHEET 3)

TO CJ601

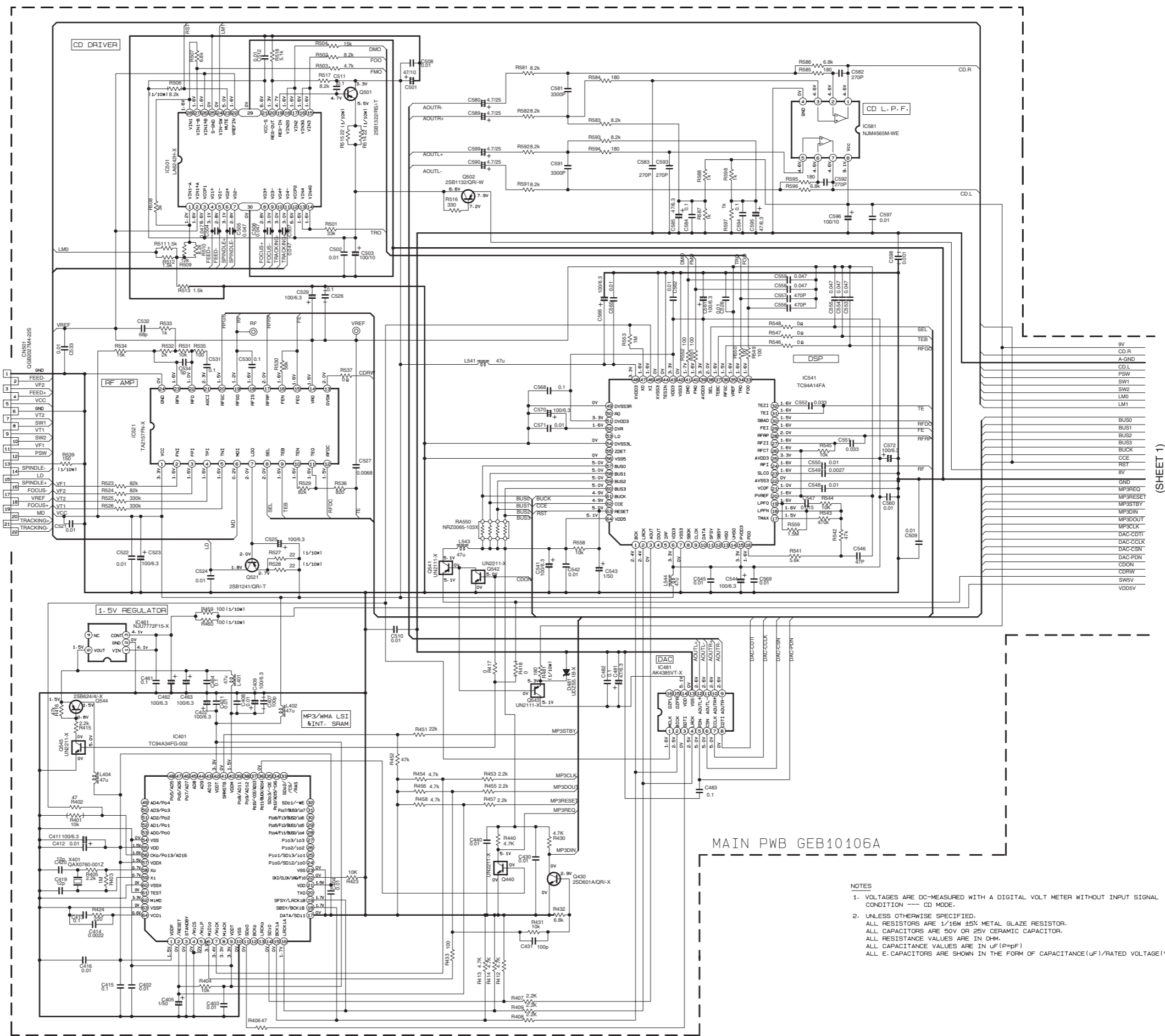
⚠ Parts are safety assurance parts. When replacing those parts make sure to use the specified one.



CD servo control section



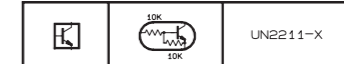
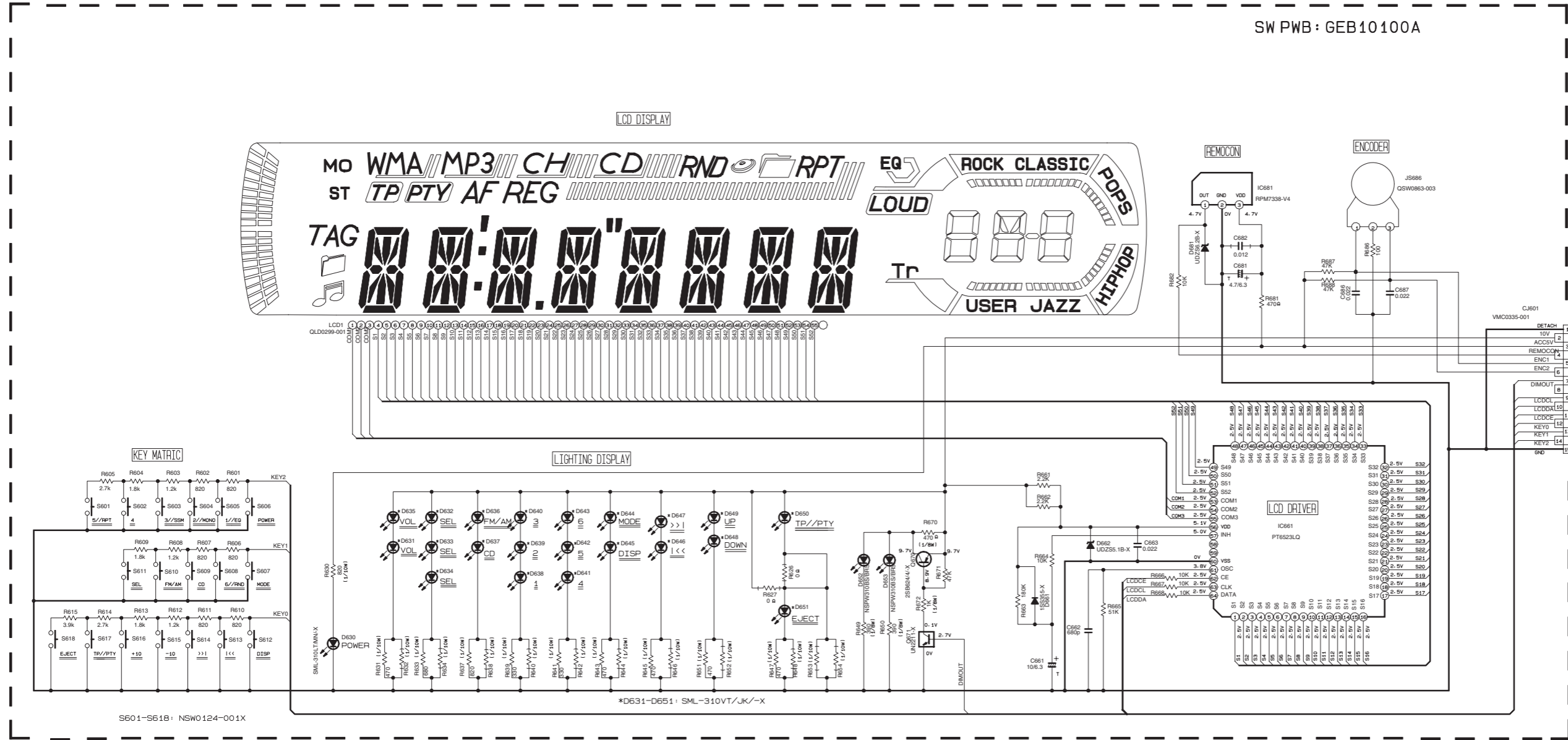
	10K	UN2211
	10K	UN2111



- NOTES
- VOLTAGES ARE DC-MEASURED WITH A DIGITAL VOLT METER WITHOUT INPUT SIGNAL CONDITION --- CD MODE.
  - UNLESS OTHERWISE SPECIFIED, ALL RESISTORS ARE 1/16W 5% METAL GLAZE RESISTOR. ALL CAPACITORS ARE 50V OR 25V CERAMIC CAPACITOR. ALL RESISTANCE VALUES ARE IN OHM. ALL CAPACITANCE VALUES ARE IN uF (p=pF) ALL E-CAPACITORS ARE SHOWN IN THE FORM OF CAPACITANCE (uF)/RATED VOLTAGE (V)

(SHEET 1)

■ LCD & Key control section

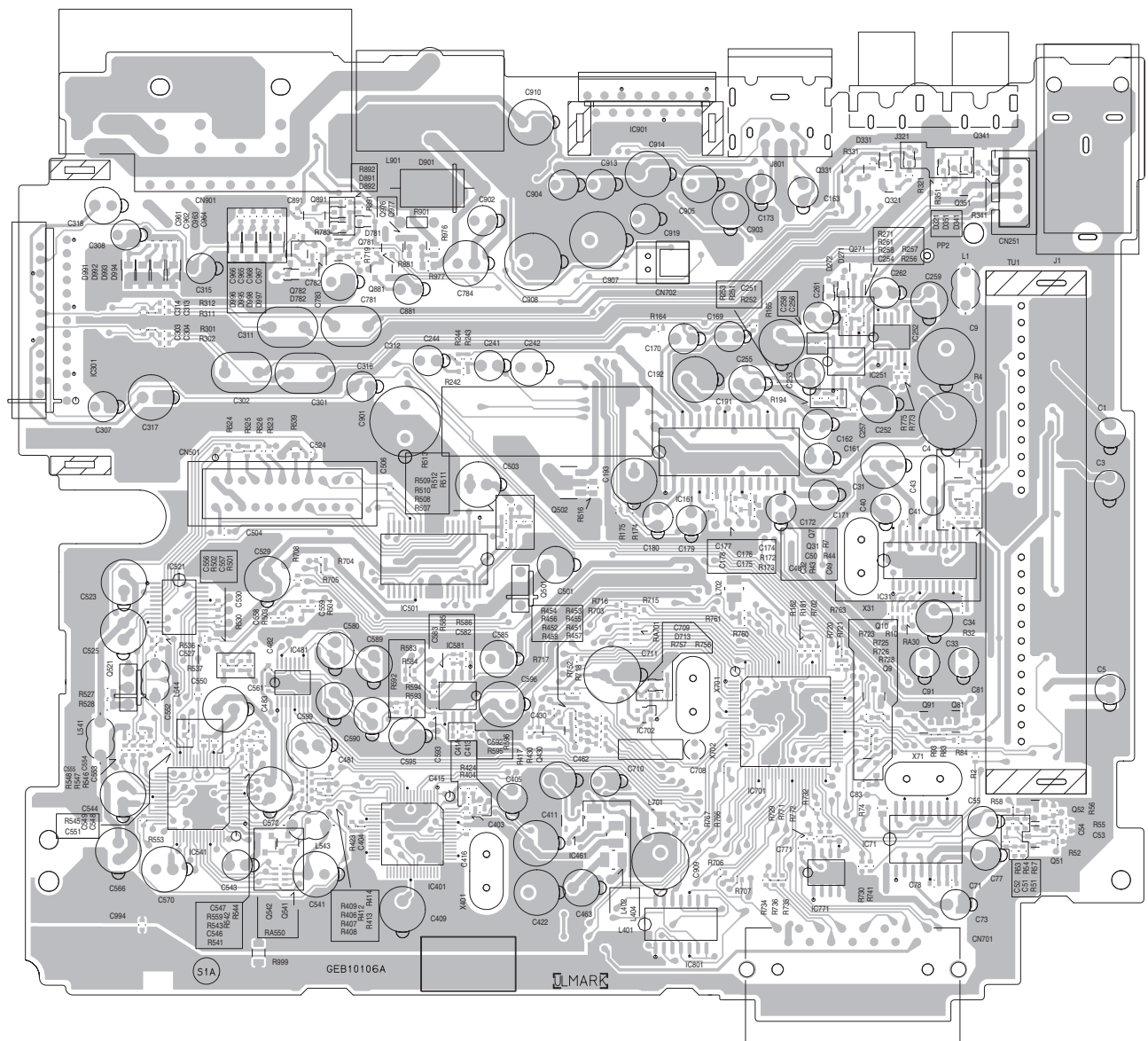


- NOTES
- VOLTAGES ARE DC-MEASURED WITH A DIGITAL VOLT METER WITHOUT INPUT SIGNAL.
  - UNLESS OTHERWISE SPECIFIED.  
ALL RESISTORS ARE 1/16W ±5% METAL GLAZE RESISTOR.  
ALL CAPACITORS ARE 50V OR 25V CERAMIC CAPACITOR.  
ALL RESISTANCE VALUES ARE IN ΩM.  
ALL CAPACITANCE VALUES ARE IN μF(p=pF)  
ALL E. CAPACITORS ARE SHOWN IN THE FORM OF CAPACITANCE(μF)/RATED VOLTAGE(V).  
T --- TANTALUM CAPACITOR.
  - COMPONENTS IN ( ) INDICATE NOT USE.

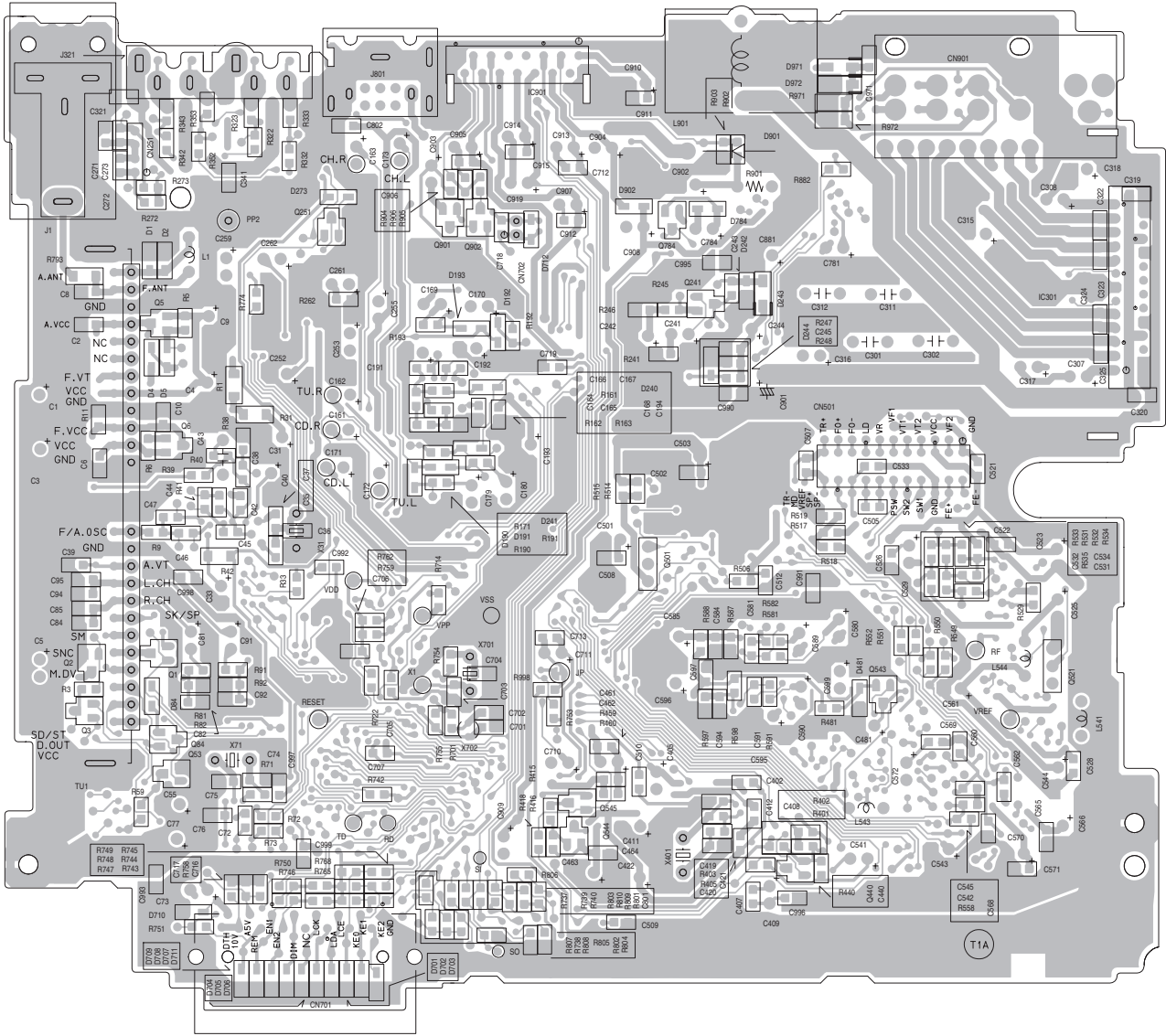
# Printed circuit boards

## ■ Main board (1/2)

Forward side



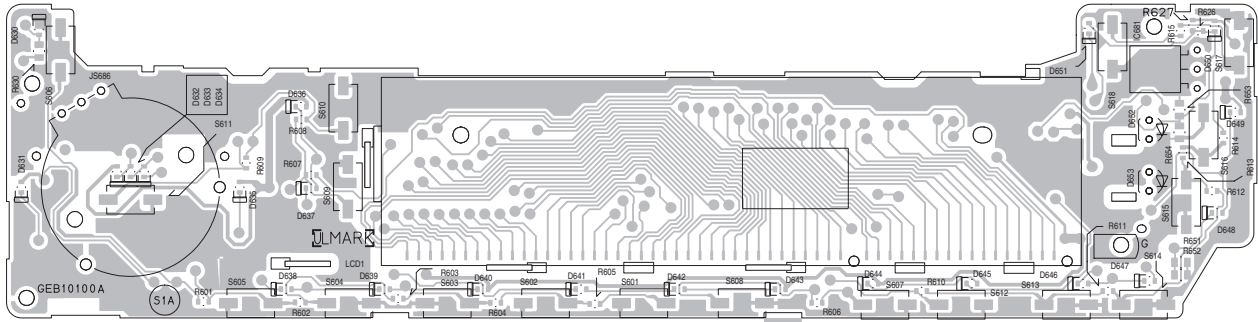
Reverse side



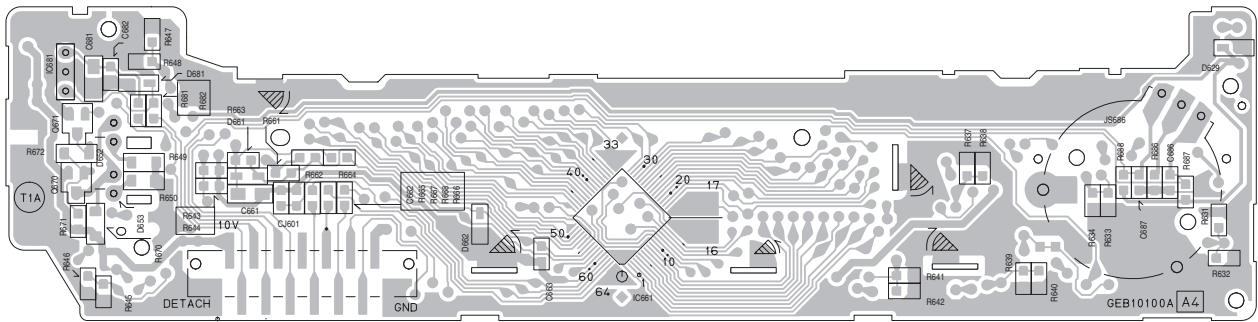


# ■ Front board

## Forward side

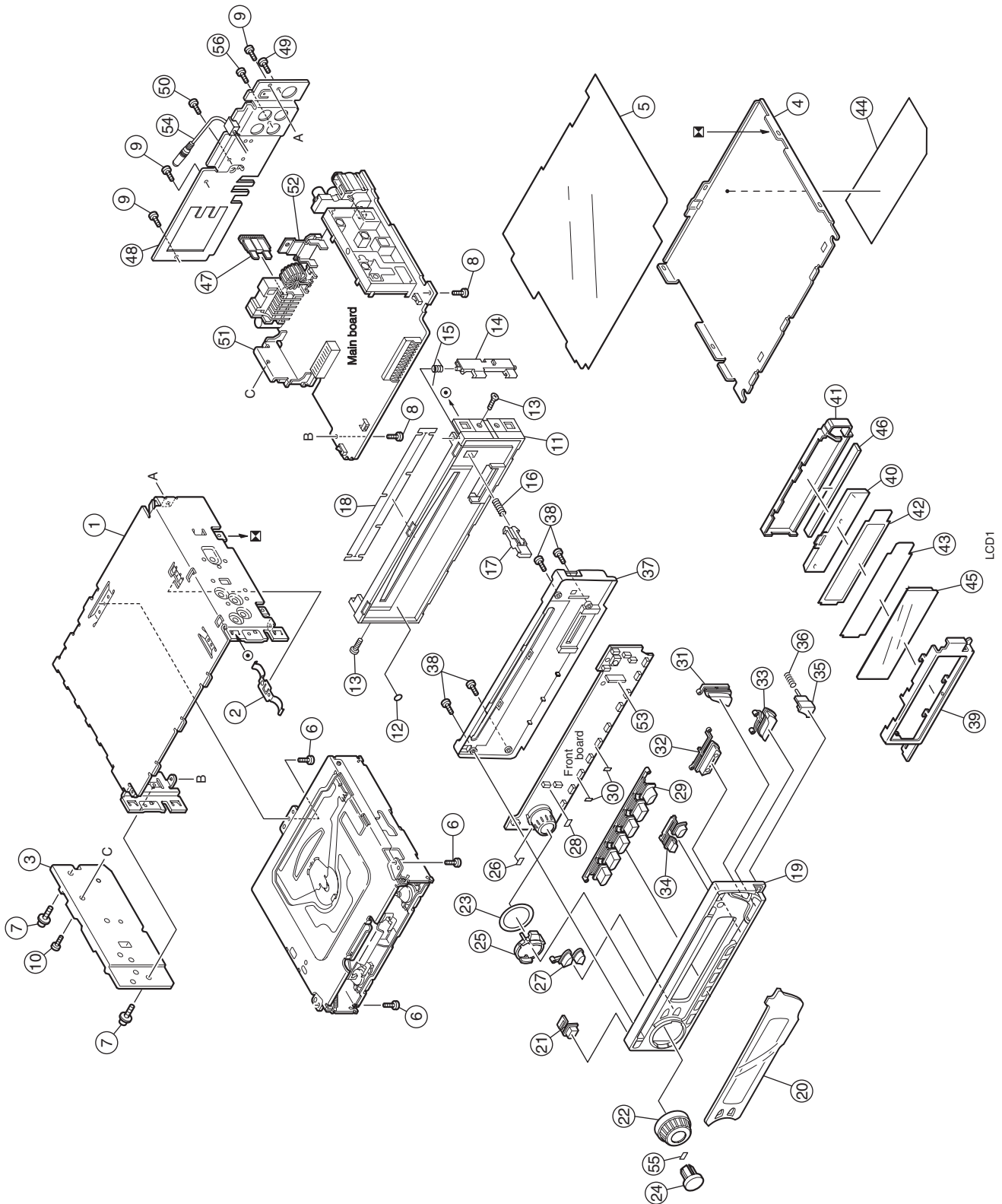


## Reverse side



# Exploded view of general assembly and parts list

Block No. M 1 M M



# General assembly

Block No. [M][1][M][M]

△ Symbol No.	Part No.	Part Name	Description	Local
1	GE10043-210A	TOP CHASSIS		
2	GE40135-001A	EARTH PLATE		
3	GE30938-003A	SIDE PANEL		
4	GE30393-002A	BOTTOM COVER		
5	FSMA3004-203	INSULATOR		
6	QYSDST2604Z	SCREW	2.6mm x 4mm(x3)	
7	FSKZ4005-001	SCREW	(x2)	
8	QYSDST2606Z	SCREW	2.6mm x 6mm(x2)	
9	QYSDST2604Z	SCREW	2.6mm x 4mm(x3)	
10	QYSDST2610Z	SCREW	2.6mm x 10mm	
11	GE10079-001A	FRONT CHASSIS		
12	FSYH4036-098	SHEET		
13	QYSDST2004M	MINI SCREW	2mm x 4mm(x2)	
14	GE31033-001A	LOCK LEVER		
15	FSKW4005-003	TORSION SPRING		
16	GE40202-001A	COMPRESSION SPRING		
17	GE31034-001A	RLS KNOB		
18	GE40156-001A	BLIND		
19	GE10077-002A	FRONT PANEL		
20	GE31031-022A	FINDER ASSY		
21	GE31027-001A	POWER BUTTON		
22	GE31038-001A	VOLUME KNOB		
23	GE40218-002A	SHEET		
24	GE31039-003A	SEL BUTTON		
25	GE31040-001A	RIM LENS		
26	FSYH4036-069	SHEET		
27	GE31029-001A	D.FUNC BTN		
28	FSYH4036-069	SHEET		
29	GE20161-001A	PRESET BUTTON		
30	FSYH4036-069	SHEET	(x2)	
31	GE31024-001A	UP/DOWN BTN		
32	GE31028-001A	SSM BTN		
33	GE31025-001A	SEARCH BTN		
34	GE31026-001A	EJECT BUTTON		
35	GE31032-001A	DETACH BTN		
36	GE40202-003A	COMPRESSION SPRING		
37	GE10078-001A	REAR COVER		
38	VKZ4777-001	MINI SCREW	(x4)	
39	GE31021-001A	LCD CASE		
40	GE31022-002A	LCD LENS		
41	GE31023-001A	LENS CASE		
42	GE40199-001A	LIGHTING SHEET		
43	GE40199-002A	LIGHTING SHEET		
44	GE31213-001A	NAME PLATE		
45	QLD0299-001	LCD MODULE		
46	QNZ0443-001	LCD CONNECTOR		
△ 47	QMFZ047-150-T	FUSE	15A	
48	GE30912-007A	REAR BRACKET		
49	QYSDST2606Z	SCREW	2.6mm x 6mm	
50	QYSDST2606Z	SCREW	2.6mm x 6mm	
51	GE40172-004A	IC BRACKET		
52	GE40124-002A	REG BRACKET		
53	GE30854-001A	LED HOLDER		
54	QAM0544-002	STEERING CABLE		
55	FSYH4036-053	SHEET		
56	QYSDSF2606Z	SCREW	2.6mm x 6mm	

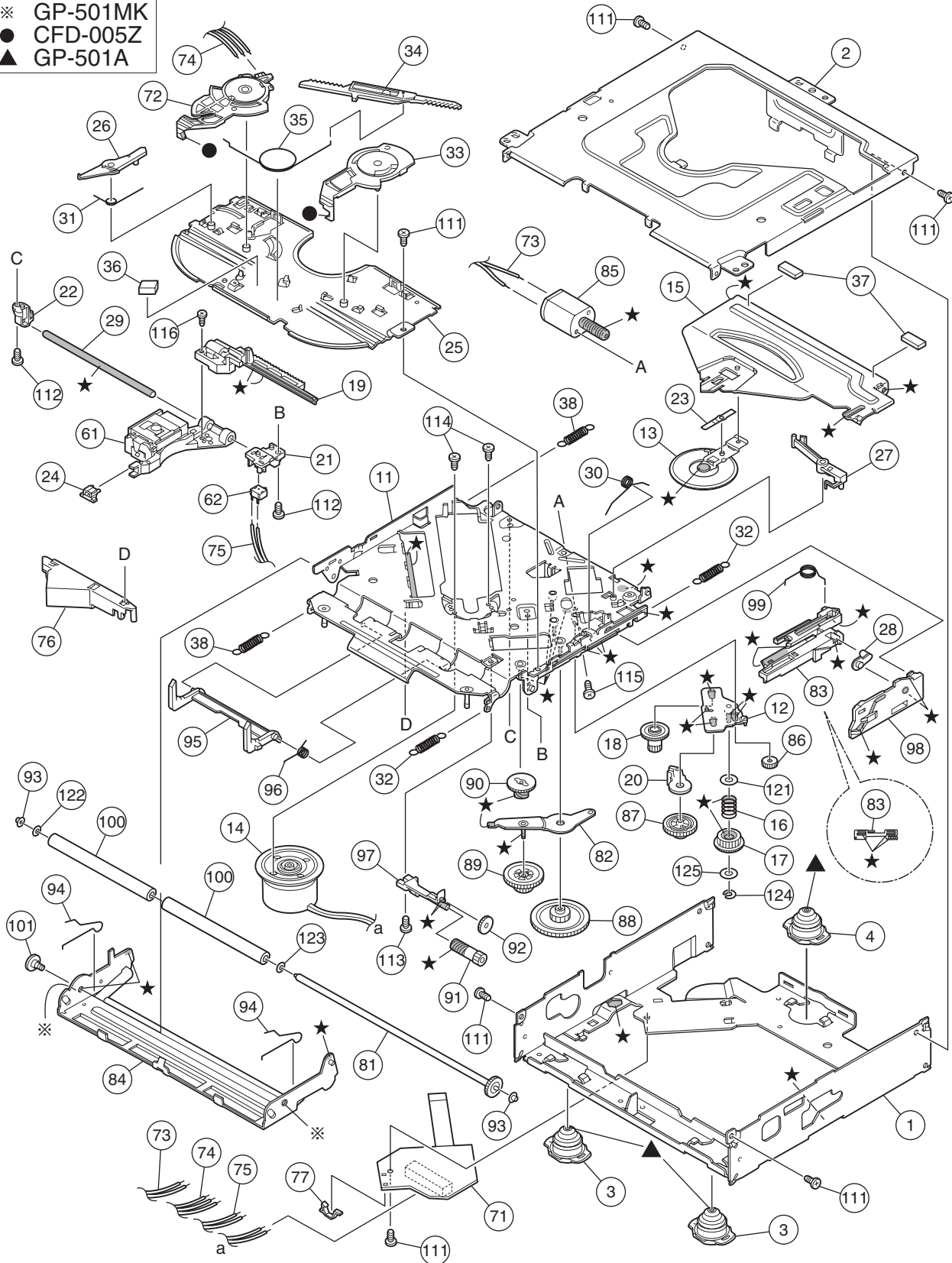
# CD mechanism assembly and parts list

Block No. M B M M

TN-2001-1011

## Grease

- ★ TNG-87
- ※ GP-501MK
- CFD-005Z
- ▲ GP-501A



# CD mechanism

Block No. [M][B][M][M]

△ Symbol No.	Part No.	Part Name	Description	Local
1	30320101T	FRAME		
2	30320102T	TOP COVER		
3	30320115T	DANPER F		
4	30320116T	DANPER R		
11	303205505T	CHASSIS RIVET		
12	303205503T	CHANGE P. RVT A		
13	303205301T	CLAMPER ASS'Y		
14	303205302T	SPINDLE MOTOR A		
15	30320502T	CLAMPER ARM		
16	30320503T	CHANGE GEAR SPG		
17	30320505T	CHANGE GEAR 2		
18	30320506T	FEED GEAR		
19	30320507T	FEED RACK		
20	30320509T	CHANGE LOCK RAR		
21	30320510T	FEED SW HOLDER		
22	30320511T	PU SHAFT HOLDER		
23	30320513T	CLAMPER SUB SPG		
24	30320514T	FD SUB HOLDER		
25	30320518T	TOP PLATE		
26	30320519T	SELECT LOCK ARM		
27	30320520T	TRIGGER ARM		
28	30320521T	SLIDE HOOK		
29	30320522T	PU SHAFT		
30	30320525T	CLAMPER ARM SPG		
31	30320526T	SELECT L ARM SP		
32	30320538T	SUSPENSION SP R		
33	30320529T	SELECT ARM R		
34	30320530T	LINK PLATE		
35	30320531T	LINK PLATE SPG		
36	30320523T	CUSHION F		
37	30320524T	CUSHION R		
38	30320539T	SUSPENSION SP L		
61	69011614T	PICKUP OPT-725		
62	64180406T	DET SW ESE22		
71	303210301T	CONN PWB ASS'Y		
72	30321002T	MODE SW		
73	30321003T	LOAD MOTOR WIRE		
74	30321005T	MODE SW WIRE		
75	30321009T	SL WIRE		
76	30321011T	WIRE HOLDER		
77	19501403T	WIRE CLUMPER		
81	303211301T	ROLLER SHAFT AS		
82	303211501T	L GEAR PLATE RV		
83	303211302T	LOADING PLATE A		
84	303211502T	LOCK ARM RV ASS		
85	303211303T	L/F MOTOR ASS'Y		
86	30321101T	LOADING GEAR 1		
87	30321102T	LOADING GEAR 2		
88	30321103T	LOADING GEAR 3		
89	30321104T	LOADING GEAR 4		
90	30321105T	LOADING GEAR 5		
91	30321106T	LOADING GEAR 6		
92	30321107T	LOADING GEAR 7		
93	30321111T	ROLLER GUIDE		
94	30321114T	ROLLER GUIDE SP		
95	30321116T	DISC STOPPER AR		
96	30321117T	DISC ST ARM SPG		
97	30321118T	LD GEAR BRACKET		
98	30321125T	L SIDE PLATE		
99	30321131T	LOAD PLATE SPG		
100	30321133T	LDG ROLLER		
101	18211223T	COLLAR SCREW		
111	9P0420031T	SCREW		
112	9P0420041T	TAP.SCREW		
113	9B0320041T	SCREW		
114	9C0117183T	SCREW		
115	9C0120203T	SCREW		
116	9C0317503T	SCREW		
121	9W0130170T	PW 3.5X8X0.3		
122	9W0513060T	HL WASHER		
123	9W0710070T	L WASHER		
124	9E0100152T	E RING		
125	9W0113020T	PW 2.1X4X0.13		

# Electrical parts list

## Main board

Block No. [0][1][0][0]

△ Symbol No.	Part No.	Part Name	Description	Local
IC31	TB2118F-X	PLL IC		
IC71	SAA6579T-X	IC		
IC161	TEA6320T-X	IC		
IC301	LA47515	IC		
IC401	TC94A34FG-002	IC		
IC461	NJU7772F15-X	IC		
IC481	AK4385VT-X	IC		
IC501	LA6242H-X	BTL DRIVER IC		
IC521	TA2157FN-X	RF AMP IC		
IC541	TC94A14FA	CD LSI IC		
IC581	NJM4565M-WE	IC		
IC701	UPD784217AGC239	IC		
IC702	IC-PST3433U-X	IC		
IC771	BR24L16F-W-X	IC		
IC901	HA13164A	IC		
Q1	2SD601A/QR/-X	TRANSISTOR		
Q2	2SD601A/QR/-X	TRANSISTOR		
Q3	UN2111-X	TRANSISTOR		
Q5	2SB709A/R/-X	TRANSISTOR		
Q6	2SB624/4/-X	TRANSISTOR		
Q7	UN2211-X	TRANSISTOR		
Q10	UN2211-X	TRANSISTOR		
Q31	UN2211-X	TRANSISTOR		
Q51	2SD601A/QR/-X	TRANSISTOR		
Q52	2SD601A/QR/-X	TRANSISTOR		
Q53	UN2211-X	TRANSISTOR		
Q81	2SD601A/QR/-X	TRANSISTOR		
Q84	UN2111-X	TRANSISTOR		
Q91	2SD601A/QR/-X	TRANSISTOR		
Q341	2SD1781K/QR/-X	TRANSISTOR		
Q351	2SD1781K/QR/-X	TRANSISTOR		
Q430	UN2211-X	TRANSISTOR		
Q440	UN2211-X	TRANSISTOR		
Q501	2SB1322/RS/-T	TRANSISTOR		
Q502	2SB1132/QR/-W	TRANSISTOR		
Q521	2SB1241/QR/-T	TRANSISTOR		
Q541	UN2111-X	TRANSISTOR		
Q542	UN2211-X	TRANSISTOR		
Q543	UN2111-X	TRANSISTOR		
Q544	2SB624/4/-X	TRANSISTOR		
Q545	UN2211-X	TRANSISTOR		
Q781	UN2111-X	TRANSISTOR		
Q782	UN2211-X	TRANSISTOR		
Q784	UN2111-X	TRANSISTOR		
Q891	UN2211-X	TRANSISTOR		
Q976	UN2211-X	TRANSISTOR		
Q977	2SB709A/QR/-X	TRANSISTOR		
D1	1SS355-X	SI DIODE		
D2	1SS355-X	SI DIODE		
D4	1SS355-X	SI DIODE		
D5	1SS355-X	SI DIODE		
D84	1SS355-X	SI DIODE		
D341	1SS355-X	SI DIODE		
D351	1SS355-X	SI DIODE		
D481	UDZS5.1B-X	Z DIODE		
D701	UDZS6.2B-X	Z DIODE		
D702	UDZS6.2B-X	Z DIODE		
D703	UDZS6.2B-X	Z DIODE		
D704	UDZS6.2B-X	Z DIODE		
D705	UDZS6.2B-X	Z DIODE		
D706	UDZS6.2B-X	Z DIODE		
D707	UDZS6.2B-X	Z DIODE		
D708	UDZS6.2B-X	Z DIODE		
D709	UDZS6.2B-X	Z DIODE		
D710	UDZS6.2B-X	Z DIODE		
D711	UDZS6.2B-X	Z DIODE		
D712	UDZS6.2B-X	Z DIODE		
D713	1SS355-X	SI DIODE		
D781	1SS355-X	SI DIODE		
D782	1SS355-X	SI DIODE		

△ Symbol No.	Part No.	Part Name	Description	Local
D784	UDZS11B-X	Z DIODE		
D891	1SS355-X	SI DIODE		
D892	1SS355-X	SI DIODE		
D901	1N5401-TU-15	DIODE		
D902	1SS355-X	SI DIODE		
D971	RB160M-30-X	SB DIODE		
D972	RB160M-30-X	SB DIODE		
C1	QEKJ1CM-226Z	E CAPACITOR	22uF 16V M	
C2	NCB31EK-473X	C CAPACITOR	0.047uF 25V K	
C3	QEKJ1CM-226Z	E CAPACITOR	22uF 16V M	
C4	QEKJ1AM-227Z	E CAPACITOR	220uF 10V M	
C5	QEKJ1HM-105Z	E CAPACITOR	1uF 50V M	
C6	NCB31HK-103X	C CAPACITOR	0.01uF 50V K	
C9	QEKJ1AM-227Z	E CAPACITOR	220uF 10V M	
C31	QEKJ1AM-107Z	E CAPACITOR	100uF 10V M	
C32	NDC31HJ-470X	C CAPACITOR	47pF 50V J	
C33	QEKJ0JM-476Z	E CAPACITOR	47uF 6.3V M	
C34	NCB31EK-473X	C CAPACITOR	0.047uF 25V K	
C35	NDC31HJ-100X	C CAPACITOR	10pF 50V J	
C36	NDC31HJ-7R0X	C CAPACITOR	7pF 50V J	
C37	NDC31HJ-100X	C CAPACITOR	10pF 50V J	
C38	NCB31HK-102X	C CAPACITOR	1000pF 50V K	
C39	NCB31HK-102X	C CAPACITOR	1000pF 50V K	
C40	QEKJ1CM-106Z	E CAPACITOR	10uF 16V M	
C41	NCB31EK-473X	C CAPACITOR	0.047uF 25V K	
C42	NCB31HK-103X	C CAPACITOR	0.01uF 50V K	
C43	QFV61HJ-473Z	MF CAPACITOR	0.047uF 50V J	
C44	NCB31HK-103X	C CAPACITOR	0.01uF 50V K	
C45	NCB31HK-272X	C CAPACITOR	2700pF 50V K	
C46	NCB31HK-103X	C CAPACITOR	0.01uF 50V K	
C47	NCB31HK-103X	C CAPACITOR	0.01uF 50V K	
C48	NCB31EK-473X	C CAPACITOR	0.047uF 25V K	
C49	NCB31HK-102X	C CAPACITOR	1000pF 50V K	
C50	NDC31HJ-101X	C CAPACITOR	100pF 50V J	
C51	NDC31HJ-331X	C CAPACITOR	330pF 50V J	
C52	NCB31HK-103X	C CAPACITOR	0.01uF 50V K	
C53	NCB31EK-472X	C CAPACITOR	4700pF 25V K	
C54	NCB31EK-104X	C CAPACITOR	0.1uF 25V K	
C55	QEKJ1HM-474Z	E CAPACITOR	0.47uF 50V M	
C71	NDC31HJ-561X	C CAPACITOR	560pF 50V J	
C72	NCB31EK-223X	C CAPACITOR	0.022uF 25V K	
C73	QEKJ1HM-225Z	E CAPACITOR	2.2uF 50V M	
C74	NDC31HJ-820X	C CAPACITOR	82pF 50V J	
C75	NDC31HJ-470X	C CAPACITOR	47pF 50V J	
C76	NCB31HK-103X	C CAPACITOR	0.01uF 50V K	
C77	QEKJ0JM-476Z	E CAPACITOR	47uF 6.3V M	
C78	NCB31HK-103X	C CAPACITOR	0.01uF 50V K	
C81	QEKJ1HM-105Z	E CAPACITOR	1uF 50V M	
C82	NCB31HK-152X	C CAPACITOR	1500pF 50V K	
C83	NCB31EK-104X	C CAPACITOR	0.1uF 25V K	
C84	NCB31HK-123X	C CAPACITOR	0.012uF 50V K	
C85	NCB31HK-102X	C CAPACITOR	1000pF 50V K	
C91	QEKJ1HM-105Z	E CAPACITOR	1uF 50V M	
C92	NCB31HK-152X	C CAPACITOR	1500pF 50V K	
C94	NCB31HK-123X	C CAPACITOR	0.012uF 50V K	
C95	NCB31HK-102X	C CAPACITOR	1000pF 50V K	
C161	QEKJ1HM-105Z	E CAPACITOR	1uF 50V M	
C162	QEKJ1HM-105Z	E CAPACITOR	1uF 50V M	
C164	NCB31HK-822X	C CAPACITOR	8200pF 50V K	
C165	NCB31CK-224X	C CAPACITOR	0.22uF 16V K	
C166	NCB31CK-224X	C CAPACITOR	0.22uF 16V K	
C167	NCB31EK-333X	C CAPACITOR	0.033uF 25V K	
C168	NCB31HK-562X	C CAPACITOR	5600pF 50V K	
C169	QEKJ1EM-475Z	E CAPACITOR	4.7uF 25V M	
C170	QEKJ1EM-475Z	E CAPACITOR	4.7uF 25V M	
C171	QEKJ1HM-105Z	E CAPACITOR	1uF 50V M	
C172	QEKJ1HM-105Z	E CAPACITOR	1uF 50V M	
C174	NCB31HK-822X	C CAPACITOR	8200pF 50V K	
C175	NCB31CK-224X	C CAPACITOR	0.22uF 16V K	
C176	NCB31CK-224X	C CAPACITOR	0.22uF 16V K	
C177	NCB31EK-333X	C CAPACITOR	0.033uF 25V K	
C178	NCB31HK-562X	C CAPACITOR	5600pF 50V K	
C179	QEKJ1EM-475Z	E CAPACITOR	4.7uF 25V M	
C180	QEKJ1EM-475Z	E CAPACITOR	4.7uF 25V M	
C191	QEKJ1CM-476Z	E CAPACITOR	47uF 16V M	

△ Symbol No.	Part No.	Part Name	Description	Local	△ Symbol No.	Part No.	Part Name	Description	Local
C192	QEKJ1CM-107Z	E CAPACITOR	100uF 16V M		C545	NCB31HK-103X	C CAPACITOR	0.01uF 50V K	
C193	QEKJ1CM-107Z	E CAPACITOR	100uF 16V M		C546	NDC31HJ-470X	C CAPACITOR	47pF 50V J	
C194	NCB31EK-103X	C CAPACITOR	0.01uF 25V K		C547	NCB31HK-153X	C CAPACITOR	0.015uF 50V K	
C301	QFVD1HJ-474Z	MF CAPACITOR	0.47uF 50V J		C548	NCB31HK-103X	C CAPACITOR	0.01uF 50V K	
C302	QFVD1HJ-474Z	MF CAPACITOR	0.47uF 50V J		C549	NCB31HK-272X	C CAPACITOR	2700pF 50V K	
C303	NCS31HJ-391X	C CAPACITOR	390pF 50V J		C550	NCB31HK-103X	C CAPACITOR	0.01uF 50V K	
C304	NCS31HJ-391X	C CAPACITOR	390pF 50V J		C551	NCB31EK-333X	C CAPACITOR	0.033uF 25V K	
C307	QEKJ1HM-105Z	E CAPACITOR	1uF 50V M		C552	NCB31EK-333X	C CAPACITOR	0.033uF 25V K	
C308	QEKJ1HM-105Z	E CAPACITOR	1uF 50V M		C553	NCB31EK-473X	C CAPACITOR	0.047uF 25V K	
C311	QFVD1HJ-474Z	MF CAPACITOR	0.47uF 50V J		C554	NCB31EK-473X	C CAPACITOR	0.047uF 25V K	
C312	QFVD1HJ-474Z	MF CAPACITOR	0.47uF 50V J		C555	NCB31EK-473X	C CAPACITOR	0.047uF 25V K	
C313	NCS31HJ-391X	C CAPACITOR	390pF 50V J		C556	NCB31HK-471X	C CAPACITOR	470pF 50V K	
C314	NCS31HJ-391X	C CAPACITOR	390pF 50V J		C557	NCB31HK-471X	C CAPACITOR	470pF 50V K	
C315	QEKJ1HM-474Z	E CAPACITOR	0.47uF 50V M		C558	NCB31EK-473X	C CAPACITOR	0.047uF 25V K	
C316	QEKJ1EM-475Z	E CAPACITOR	4.7uF 25V M		C559	NCB31EK-473X	C CAPACITOR	0.047uF 25V K	
C317	QEKJ1CM-476Z	E CAPACITOR	47uF 16V M		C560	NCB31HK-103X	C CAPACITOR	0.01uF 50V K	
C318	QEDJ1CM-226Z	E CAPACITOR	22uF 16V M		C561	QEKJ0JM-107Z	E CAPACITOR	100uF 6.3V M	
C319	NCB31EK-223X	C CAPACITOR	0.022uF 25V K		C562	NCB31HK-103X	C CAPACITOR	0.01uF 50V K	
C320	NCB31EK-223X	C CAPACITOR	0.022uF 25V K		C565	NCB31HK-103X	C CAPACITOR	0.01uF 50V K	
C321	NCB31CK-104X	C CAPACITOR	0.1uF 16V K		C566	QEKJ0JM-107Z	E CAPACITOR	100uF 6.3V M	
C322	NCB31EK-104X	C CAPACITOR	0.1uF 25V K		C568	NCB31EK-104X	C CAPACITOR	0.1uF 25V K	
C323	NCB31EK-104X	C CAPACITOR	0.1uF 25V K		C569	NCB31HK-103X	C CAPACITOR	0.01uF 50V K	
C324	NCB31EK-104X	C CAPACITOR	0.1uF 25V K		C570	QEKJ0JM-107Z	E CAPACITOR	100uF 6.3V M	
C325	NCB31EK-104X	C CAPACITOR	0.1uF 25V K		C571	NCB31HK-103X	C CAPACITOR	0.01uF 50V K	
C341	NCB31CK-104X	C CAPACITOR	0.1uF 16V K		C572	QEKJ0JM-107Z	E CAPACITOR	100uF 6.3V M	
C402	NCB31HK-103X	C CAPACITOR	0.01uF 50V K		C580	QEKJ1EM-475Z	E CAPACITOR	4.7uF 25V M	
C403	NCB31HK-103X	C CAPACITOR	0.01uF 50V K		C581	NCB31HK-332X	C CAPACITOR	3300pF 50V K	
C404	NCB31HK-103X	C CAPACITOR	0.01uF 50V K		C582	NDC31HJ-271X	C CAPACITOR	270pF 50V J	
C405	QEKJ1HM-105Z	E CAPACITOR	1uF 50V M		C583	NDC31HJ-271X	C CAPACITOR	270pF 50V J	
C408	NCB31HK-103X	C CAPACITOR	0.01uF 50V K		C584	NCB31EK-104X	C CAPACITOR	0.1uF 25V K	
C409	QEKJ0JM-107Z	E CAPACITOR	100uF 6.3V M		C585	QEKJ0JM-476Z	E CAPACITOR	47uF 6.3V M	
C411	QEKJ0JM-107Z	E CAPACITOR	100uF 6.3V M		C589	QEKJ1EM-475Z	E CAPACITOR	4.7uF 25V M	
C412	NCB31HK-103X	C CAPACITOR	0.01uF 50V K		C590	QEKJ1EM-475Z	E CAPACITOR	4.7uF 25V M	
C413	NCB31CK-104X	C CAPACITOR	0.1uF 16V K		C591	NCB31HK-332X	C CAPACITOR	3300pF 50V K	
C414	NCB31HK-222X	C CAPACITOR	2200pF 50V K		C592	NDC31HJ-271X	C CAPACITOR	270pF 50V J	
C415	NCB31CK-104X	C CAPACITOR	0.1uF 16V K		C593	NDC31HJ-271X	C CAPACITOR	270pF 50V J	
C416	NCB31HK-103X	C CAPACITOR	0.01uF 50V K		C594	NCB31EK-104X	C CAPACITOR	0.1uF 25V K	
C419	NDC31HJ-120X	C CAPACITOR	12pF 50V J		C595	QEKJ0JM-476Z	E CAPACITOR	47uF 6.3V M	
C420	NDC31HJ-120X	C CAPACITOR	12pF 50V J		C596	QEKJ1AM-107Z	E CAPACITOR	100uF 10V M	
C421	NCB31HK-103X	C CAPACITOR	0.01uF 50V K		C597	NCB31HK-103X	C CAPACITOR	0.01uF 50V K	
C422	QEKJ0JM-107Z	E CAPACITOR	100uF 6.3V M		C599	QEKJ1EM-475Z	E CAPACITOR	4.7uF 25V M	
C430	NCB31HK-103X	C CAPACITOR	0.01uF 50V K		C701	NDC31HJ-220X	C CAPACITOR	22pF 50V J	
C440	NCB31HK-103X	C CAPACITOR	0.01uF 50V K		C702	NDC31HJ-270X	C CAPACITOR	27pF 50V J	
C461	NCB31EK-104X	C CAPACITOR	0.1uF 25V K		C703	NDC31HJ-270X	C CAPACITOR	27pF 50V J	
C462	QEKJ0JM-107Z	E CAPACITOR	100uF 6.3V M		C704	NDC31HJ-8R0X	C CAPACITOR	8pF 50V J	
C463	QEKJ0JM-107Z	E CAPACITOR	100uF 6.3V M		C705	NCB31EK-473X	C CAPACITOR	0.047uF 25V K	
C464	NCB31EK-104X	C CAPACITOR	0.1uF 25V K		C706	NCB31EK-473X	C CAPACITOR	0.047uF 25V K	
C481	QEKJ0JM-476Z	E CAPACITOR	47uF 6.3V M		C707	NCB31EK-473X	C CAPACITOR	0.047uF 25V K	
C482	NCB31EK-104X	C CAPACITOR	0.1uF 25V K		C708	NCB31EK-473X	C CAPACITOR	0.047uF 25V K	
C483	NCB31EK-104X	C CAPACITOR	0.1uF 25V K		C709	NCB31HK-103X	C CAPACITOR	0.01uF 50V K	
C501	QEDJ1AM-476Z	E CAPACITOR	47uF 10V M		C710	QEKJ0JM-476Z	E CAPACITOR	47uF 6.3V M	
C502	NCB31HK-103X	C CAPACITOR	0.01uF 50V K		C711	QEKJ0JM-227Z	E CAPACITOR	220uF 6.3V M	
C503	QEKJ1AM-107Z	E CAPACITOR	100uF 10V M		C712	NCB31HK-103X	C CAPACITOR	0.01uF 50V K	
C504	NCB31EK-473X	C CAPACITOR	0.047uF 25V K		C713	NCB31EK-103X	C CAPACITOR	0.01uF 25V K	
C505	NCB31EK-473X	C CAPACITOR	0.047uF 25V K		C716	NCB31EK-104X	C CAPACITOR	0.1uF 25V K	
C506	NCB31EK-473X	C CAPACITOR	0.047uF 25V K		C717	NCB31EK-104X	C CAPACITOR	0.1uF 25V K	
C507	NCB31EK-473X	C CAPACITOR	0.047uF 25V K		C718	NDC31HJ-101X	C CAPACITOR	100pF 50V J	
C508	NCB31HK-103X	C CAPACITOR	0.01uF 50V K		C719	NCB31HK-102X	C CAPACITOR	1000pF 50V K	
C509	NCB31EK-103X	C CAPACITOR	0.01uF 25V K		C771	NCB31EK-473X	C CAPACITOR	0.047uF 25V K	
C510	NCB31EK-103X	C CAPACITOR	0.01uF 25V K		C781	QEKJ0JM-107Z	E CAPACITOR	100uF 6.3V M	
C512	NCB31HK-103X	C CAPACITOR	0.01uF 50V K		C782	NCB31EK-823X	C CAPACITOR	0.082uF 25V K	
C521	NCB31HK-103X	C CAPACITOR	0.01uF 50V K		C783	NCB31EK-103X	C CAPACITOR	0.01uF 25V K	
C522	NCB31HK-103X	C CAPACITOR	0.01uF 50V K		C784	QEKJ1CM-107Z	E CAPACITOR	100uF 16V M	
C523	QEKJ0JM-107Z	E CAPACITOR	100uF 6.3V M		C891	NCB31EK-104X	C CAPACITOR	0.1uF 25V K	
C524	NCB31HK-103X	C CAPACITOR	0.01uF 50V K		C901	QEZ0675-338	E CAPACITOR	3300uF	
C525	QEKJ0JM-107Z	E CAPACITOR	100uF 6.3V M		C902	QEKJ1HM-225Z	E CAPACITOR	2.2uF 50V M	
C527	NCB31HK-682X	C CAPACITOR	6800pF 50V K		C903	QEKJ1CM-476Z	E CAPACITOR	47uF 16V M	
C528	NCB31HK-103X	C CAPACITOR	0.01uF 50V K		C904	QEDJ1CM-106Z	E CAPACITOR	10uF 16V M	
C529	QEKJ0JM-107Z	E CAPACITOR	100uF 6.3V M		C905	QEKJ1CM-476Z	E CAPACITOR	47uF 16V M	
C530	NCB31EK-104X	C CAPACITOR	0.1uF 25V K		C906	NCB31HK-103X	C CAPACITOR	0.01uF 50V K	
C531	NCB31EK-104X	C CAPACITOR	0.1uF 25V K		C907	QEKJ1AM-227Z	E CAPACITOR	220uF 10V M	
C532	NDC31HJ-680X	C CAPACITOR	68pF 50V J		C908	QEKJ0JM-227Z	E CAPACITOR	220uF 6.3V M	
C533	NCB31HK-103X	C CAPACITOR	0.01uF 50V K		C909	QEKJ0JM-227Z	E CAPACITOR	220uF 6.3V M	
C534	NDC31HJ-5R0X	C CAPACITOR	5pF 50V J		C910	QEKJ1CM-106Z	E CAPACITOR	10uF 16V M	
C541	QEKJ0JM-107Z	E CAPACITOR	100uF 6.3V M		C911	NCB31CK-104X	C CAPACITOR	0.1uF 16V K	
C542	NCB31HK-103X	C CAPACITOR	0.01uF 50V K		C912	NCB31HK-103X	C CAPACITOR	0.01uF 50V K	
C543	QEKJ1HM-105Z	E CAPACITOR	1uF 50V M		C913	QEKJ1CM-106Z	E CAPACITOR	10uF 16V M	
C544	QEKJ0JM-107Z	E CAPACITOR	100uF 6.3V M		C914	QEKJ1CM-107Z	E CAPACITOR	100uF 16V M	

△ Symbol No.	Part No.	Part Name	Description	Local	△ Symbol No.	Part No.	Part Name	Description	Local
C915	NCB31CK-104X	C CAPACITOR	0.1uF 16V K		R405	NRSA63J-222X	MG RESISTOR	2.2kΩ 1/16W J	
C919	QEKJ1CM-106Z	E CAPACITOR	10uF 16V M		R406	NRSA63J-470X	MG RESISTOR	47kΩ 1/16W J	
C961	NDC31HJ-101X	C CAPACITOR	100pF 50V J		R407	NRSA63J-222X	MG RESISTOR	2.2kΩ 1/16W J	
C962	NDC31HJ-101X	C CAPACITOR	100pF 50V J		R408	NRSA63J-222X	MG RESISTOR	2.2kΩ 1/16W J	
C963	NDC31HJ-101X	C CAPACITOR	100pF 50V J		R409	NRSA63J-222X	MG RESISTOR	2.2kΩ 1/16W J	
C964	NDC31HJ-101X	C CAPACITOR	100pF 50V J		R412	NRSA63J-472X	MG RESISTOR	4.7kΩ 1/16W J	
C965	NDC31HJ-101X	C CAPACITOR	100pF 50V J		R413	NRSA63J-472X	MG RESISTOR	4.7kΩ 1/16W J	
C966	NDC31HJ-101X	C CAPACITOR	100pF 50V J		R414	NRSA63J-472X	MG RESISTOR	4.7kΩ 1/16W J	
C967	NDC31HJ-101X	C CAPACITOR	100pF 50V J		R415	NRSA63J-222X	MG RESISTOR	2.2kΩ 1/16W J	
C968	NDC31HJ-101X	C CAPACITOR	100pF 50V J		R416	NRSA63J-473X	MG RESISTOR	47kΩ 1/16W J	
C971	NCB31EK-104X	C CAPACITOR	0.1uF 25V K		R417	NRSA63J-0R0X	MG RESISTOR	0Ω 1/16W J	
C990	NCB31EK-103X	C CAPACITOR	0.01uF 25V K		R423	NRSA63J-103X	MG RESISTOR	10kΩ 1/16W J	
C993	NCB31EK-103X	C CAPACITOR	0.01uF 25V K		R424	NRSA63J-221X	MG RESISTOR	220Ω 1/16W J	
C995	NCB31CK-104X	C CAPACITOR	0.1uF 16V K		R430	NRSA63J-472X	MG RESISTOR	4.7kΩ 1/16W J	
R1	NRS181J-100X	MG RESISTOR	10Ω 1/8W J		R440	NRSA63J-472X	MG RESISTOR	4.7kΩ 1/16W J	
R2	NRSA63J-473X	MG RESISTOR	47kΩ 1/16W J		R451	NRSA63J-223X	MG RESISTOR	22kΩ 1/16W J	
R3	NRSA63J-472X	MG RESISTOR	4.7kΩ 1/16W J		R452	NRSA63J-473X	MG RESISTOR	47kΩ 1/16W J	
R4	NRSA63J-332X	MG RESISTOR	3.3kΩ 1/16W J		R453	NRSA63J-222X	MG RESISTOR	2.2kΩ 1/16W J	
R5	NRSA63J-473X	MG RESISTOR	47kΩ 1/16W J		R454	NRSA63J-472X	MG RESISTOR	4.7kΩ 1/16W J	
R6	NRSA63J-473X	MG RESISTOR	47kΩ 1/16W J		R455	NRSA63J-222X	MG RESISTOR	2.2kΩ 1/16W J	
R7	NRSA63J-472X	MG RESISTOR	4.7kΩ 1/16W J		R456	NRSA63J-472X	MG RESISTOR	4.7kΩ 1/16W J	
R9	NRSA63J-470X	MG RESISTOR	47Ω 1/16W J		R457	NRSA63J-222X	MG RESISTOR	2.2kΩ 1/16W J	
R10	NRSA63J-103X	MG RESISTOR	10kΩ 1/16W J		R458	NRSA63J-472X	MG RESISTOR	4.7kΩ 1/16W J	
R11	NRSA63J-103X	MG RESISTOR	10kΩ 1/16W J		R459	NRSA02J-101X	MG RESISTOR	100Ω 1/10W J	
R31	NRS181J-100X	MG RESISTOR	10Ω 1/8W J		R460	NRSA02J-101X	MG RESISTOR	100Ω 1/10W J	
R32	NRSA63J-622X	MG RESISTOR	6.2kΩ 1/16W J		R481	NRSA02J-181X	MG RESISTOR	180Ω 1/10W J	
R33	NRSA63J-103X	MG RESISTOR	10kΩ 1/16W J		R501	NRSA63J-333X	MG RESISTOR	33kΩ 1/16W J	
R38	NRSA63J-101X	MG RESISTOR	100Ω 1/16W J		R502	NRSA63J-822X	MG RESISTOR	8.2kΩ 1/16W J	
R39	NRSA63J-0R0X	MG RESISTOR	0Ω 1/16W J		R503	NRSA63J-472X	MG RESISTOR	4.7kΩ 1/16W J	
R40	NRSA63J-393X	MG RESISTOR	39kΩ 1/16W J		R504	NRSA63J-153X	MG RESISTOR	15kΩ 1/16W J	
R41	NRSA63J-103X	MG RESISTOR	10kΩ 1/16W J		R507	NRSA63J-682X	MG RESISTOR	6.8kΩ 1/16W J	
R42	NRS181J-100X	MG RESISTOR	10Ω 1/8W J		R508	NRSA63J-302X	MG RESISTOR	3kΩ 1/16W J	
R43	NRSA63J-471X	MG RESISTOR	470Ω 1/16W J		R509	NRSA63J-123X	MG RESISTOR	12kΩ 1/16W J	
R44	NRSA63J-221X	MG RESISTOR	220Ω 1/16W J		R510	NRSA63J-822X	MG RESISTOR	8.2kΩ 1/16W J	
R51	NRSA63J-273X	MG RESISTOR	27kΩ 1/16W J		R511	NRSA63J-152X	MG RESISTOR	1.5kΩ 1/16W J	
R52	NRSA63J-473X	MG RESISTOR	47kΩ 1/16W J		R512	NRSA63J-152X	MG RESISTOR	1.5kΩ 1/16W J	
R53	NRSA63J-473X	MG RESISTOR	47kΩ 1/16W J		R513	NRSA63J-152X	MG RESISTOR	1.5kΩ 1/16W J	
R54	NRSA63J-103X	MG RESISTOR	10kΩ 1/16W J		R514	NRSA02J-220X	MG RESISTOR	22Ω 1/10W J	
R55	NRSA63J-222X	MG RESISTOR	2.2kΩ 1/16W J		R515	NRSA02J-220X	MG RESISTOR	22Ω 1/10W J	
R56	NRSA63J-103X	MG RESISTOR	10kΩ 1/16W J		R516	NRSA02J-331X	MG RESISTOR	330Ω 1/10W J	
R57	NRSA63J-153X	MG RESISTOR	15kΩ 1/16W J		R517	NRSA63J-822X	MG RESISTOR	8.2kΩ 1/16W J	
R58	NRSA63J-471X	MG RESISTOR	470Ω 1/16W J		R518	NRSA63J-512X	MG RESISTOR	5.1kΩ 1/16W J	
R59	NRSA63J-473X	MG RESISTOR	47kΩ 1/16W J		R523	NRSA63J-823X	MG RESISTOR	82kΩ 1/16W J	
R71	NRSA63J-222X	MG RESISTOR	2.2kΩ 1/16W J		R524	NRSA63J-823X	MG RESISTOR	82kΩ 1/16W J	
R72	NRSA63J-222X	MG RESISTOR	2.2kΩ 1/16W J		R525	NRSA63J-334X	MG RESISTOR	330kΩ 1/16W J	
R73	NRSA63J-222X	MG RESISTOR	2.2kΩ 1/16W J		R526	NRSA63J-334X	MG RESISTOR	330kΩ 1/16W J	
R74	NRSA02J-101X	MG RESISTOR	100Ω 1/10W J		R527	NRSA02J-220X	MG RESISTOR	22Ω 1/10W J	
R81	NRSA63J-822X	MG RESISTOR	8.2kΩ 1/16W J		R528	NRSA02J-220X	MG RESISTOR	22Ω 1/10W J	
R82	NRSA63J-183X	MG RESISTOR	18kΩ 1/16W J		R529	NRSA63J-823X	MG RESISTOR	82kΩ 1/16W J	
R83	NRSA63J-472X	MG RESISTOR	4.7kΩ 1/16W J		R530	NRSA63J-563X	MG RESISTOR	56kΩ 1/16W J	
R84	NRSA63J-0R0X	MG RESISTOR	0Ω 1/16W J		R531	NRSA63J-103X	MG RESISTOR	10kΩ 1/16W J	
R91	NRSA63J-822X	MG RESISTOR	8.2kΩ 1/16W J		R532	NRSA63J-202X	MG RESISTOR	2kΩ 1/16W J	
R92	NRSA63J-183X	MG RESISTOR	18kΩ 1/16W J		R533	NRSA63J-102X	MG RESISTOR	1kΩ 1/16W J	
R93	NRSA63J-472X	MG RESISTOR	4.7kΩ 1/16W J		R534	NRSA63J-153X	MG RESISTOR	15kΩ 1/16W J	
R162	NRSA63J-223X	MG RESISTOR	22kΩ 1/16W J		R535	NRSA63J-101X	MG RESISTOR	100Ω 1/16W J	
R163	NRSA63J-222X	MG RESISTOR	2.2kΩ 1/16W J		R536	NRSA63J-821X	MG RESISTOR	820Ω 1/16W J	
R164	NRSA63J-473X	MG RESISTOR	47kΩ 1/16W J		R537	NRSA63J-0R0X	MG RESISTOR	0Ω 1/16W J	
R165	NRSA63J-473X	MG RESISTOR	47kΩ 1/16W J		R539	NRSA02J-151X	MG RESISTOR	150Ω 1/10W J	
R172	NRSA63J-223X	MG RESISTOR	22kΩ 1/16W J		R541	NRSA63J-562X	MG RESISTOR	5.6kΩ 1/16W J	
R173	NRSA63J-222X	MG RESISTOR	2.2kΩ 1/16W J		R542	NRSA63J-473X	MG RESISTOR	47kΩ 1/16W J	
R174	NRSA63J-473X	MG RESISTOR	47kΩ 1/16W J		R543	NRSA63J-474X	MG RESISTOR	470kΩ 1/16W J	
R175	NRSA63J-473X	MG RESISTOR	47kΩ 1/16W J		R544	NRSA63J-103X	MG RESISTOR	10kΩ 1/16W J	
R181	NRSA63J-271X	MG RESISTOR	270Ω 1/16W J		R545	NRSA63J-103X	MG RESISTOR	10kΩ 1/16W J	
R182	NRSA63J-271X	MG RESISTOR	270Ω 1/16W J		R546	NRSA63J-0R0X	MG RESISTOR	0Ω 1/16W J	
R301	NRSA63J-273X	MG RESISTOR	27kΩ 1/16W J		R547	NRSA63J-0R0X	MG RESISTOR	0Ω 1/16W J	
R302	NRSA63J-273X	MG RESISTOR	27kΩ 1/16W J		R548	NRSA63J-0R0X	MG RESISTOR	0Ω 1/16W J	
R311	NRSA63J-273X	MG RESISTOR	27kΩ 1/16W J		R549	NRSA63J-101X	MG RESISTOR	100Ω 1/16W J	
R312	NRSA63J-273X	MG RESISTOR	27kΩ 1/16W J		R550	NRSA63J-101X	MG RESISTOR	100Ω 1/16W J	
R341	NRSA63J-222X	MG RESISTOR	2.2kΩ 1/16W J		R551	NRSA63J-101X	MG RESISTOR	100Ω 1/16W J	
R342	NRSA63J-821X	MG RESISTOR	820Ω 1/16W J		R552	NRSA63J-101X	MG RESISTOR	100Ω 1/16W J	
R343	NRSA02J-101X	MG RESISTOR	100Ω 1/10W J		R553	NRSA63J-105X	MG RESISTOR	1MΩ 1/16W J	
R351	NRSA63J-222X	MG RESISTOR	2.2kΩ 1/16W J		R558	NRSA63J-103X	MG RESISTOR	10kΩ 1/16W J	
R352	NRSA63J-821X	MG RESISTOR	820Ω 1/16W J		R559	NRSA63J-155X	MG RESISTOR	1.5MΩ 1/16W J	
R353	NRSA02J-101X	MG RESISTOR	100Ω 1/10W J		R581	NRSA63J-822X	MG RESISTOR	8.2kΩ 1/16W J	
R402	NRSA63J-470X	MG RESISTOR	47Ω 1/16W J		R582	NRSA63J-822X	MG RESISTOR	8.2kΩ 1/16W J	
R403	NRSA63J-105X	MG RESISTOR	1MΩ 1/16W J		R583	NRSA63J-822X	MG RESISTOR	8.2kΩ 1/16W J	
R404	NRSA63J-103X	MG RESISTOR	10kΩ 1/16W J		R584	NRSA63J-181X	MG RESISTOR	180Ω 1/16W J	
					R585	NRSA63J-181X	MG RESISTOR	180Ω 1/16W J	



△ Symbol No.	Part No.	Part Name	Description	Local	△ Symbol No.	Part No.	Part Name	Description	Local
R586	NRSA63J-682X	MG RESISTOR	6.8kΩ 1/16W J		L1	QQL244J-4R7Z	INDUCTIOR	4.7uH J	
R587	NRSA63J-102X	MG RESISTOR	1kΩ 1/16W J		L401	NQL114K-470X	INDUCITOR	47uH K	
R588	NRSA63J-102X	MG RESISTOR	1kΩ 1/16W J		L402	NQL114K-470X	INDUCITOR	47uH K	
R591	NRSA63J-822X	MG RESISTOR	8.2kΩ 1/16W J		L404	NQL114K-470X	INDUCITOR	47uH K	
R592	NRSA63J-822X	MG RESISTOR	8.2kΩ 1/16W J		L541	QQL244J-470Z	COIL	47uH J	
R593	NRSA63J-822X	MG RESISTOR	8.2kΩ 1/16W J		L543	QQL244J-470Z	COIL	47uH J	
R594	NRSA63J-181X	MG RESISTOR	180Ω 1/16W J		L544	QQL244J-470Z	COIL	47uH J	
R595	NRSA63J-181X	MG RESISTOR	180Ω 1/16W J		L701	NQL114M-4R7X	COIL	4.7uH M	
R596	NRSA63J-682X	MG RESISTOR	6.8kΩ 1/16W J		L702	NQL114M-4R7X	COIL	4.7uH M	
R597	NRSA63J-102X	MG RESISTOR	1kΩ 1/16W J		L901	QQR0703-001	CHOKE COIL		
R598	NRSA63J-102X	MG RESISTOR	1kΩ 1/16W J		CN501	QGB2027M4-22S	CONNECTOR	B-B (1-22)	
R701	NRSA63J-473X	MG RESISTOR	47kΩ 1/16W J		CN701	VMC0334-001	CONNECTOR		
R702	NRSA63J-103X	MG RESISTOR	10kΩ 1/16W J		CN702	QGA2006F1-02	CONNECTOR	W-B (1-2)	
R703	NRSA63J-101X	MG RESISTOR	100Ω 1/16W J		CN901	QNZ0650-001	CAR CONNECTOR		
R704	NRSA63J-473X	MG RESISTOR	47kΩ 1/16W J		J1	QNB0100-002	CAR ANT JACK		
R705	NRSA63J-473X	MG RESISTOR	47kΩ 1/16W J		J321	QNN0519-001	SURROUND JACK		
R707	NRSA63J-473X	MG RESISTOR	47kΩ 1/16W J		PP2	QZW0010-001	STYLE PIN		
R708	NRSA63J-332X	MG RESISTOR	3.3kΩ 1/16W J		TU1	QAU0313-001	TUNER		
R714	NRSA63J-103X	MG RESISTOR	10kΩ 1/16W J		X31	QAX0616-001Z	CRYSTAL	10.250MHz	
R715	NRSA63J-102X	MG RESISTOR	1kΩ 1/16W J		X71	QAX0263-001Z	CRYSTAL	4.332MHz	
R716	NRSA63J-102X	MG RESISTOR	1kΩ 1/16W J		X401	QAX0760-001Z	CRYSTAL		
R717	NRSA63J-0R0X	MG RESISTOR	0Ω 1/16W J		X701	QAX0617-001Z	CRYSTAL	12.500MHz	
R718	NRSA63J-0R0X	MG RESISTOR	0Ω 1/16W J		X702	QAX0401-001	CRYSTAL	32.768KHz	
R719	NRSA63J-0R0X	MG RESISTOR	0Ω 1/16W J						
R720	NRSA63J-122X	MG RESISTOR	1.2kΩ 1/16W J						
R721	NRSA63J-102X	MG RESISTOR	1kΩ 1/16W J						
R722	NRSA63J-103X	MG RESISTOR	10kΩ 1/16W J						
R723	NRSA63J-103X	MG RESISTOR	10kΩ 1/16W J						
R725	NRSA63J-103X	MG RESISTOR	10kΩ 1/16W J						
R726	NRSA63J-103X	MG RESISTOR	10kΩ 1/16W J						
R728	NRSA63J-103X	MG RESISTOR	10kΩ 1/16W J						
R729	NRSA63J-473X	MG RESISTOR	47kΩ 1/16W J						
R730	NRSA63J-103X	MG RESISTOR	10kΩ 1/16W J						
R732	NRSA63J-103X	MG RESISTOR	10kΩ 1/16W J						
R734	NRSA63J-222X	MG RESISTOR	2.2kΩ 1/16W J						
R735	NRSA63J-222X	MG RESISTOR	2.2kΩ 1/16W J						
R736	NRSA63J-222X	MG RESISTOR	2.2kΩ 1/16W J						
R741	NRSA63J-103X	MG RESISTOR	10kΩ 1/16W J						
R742	NRSA63J-103X	MG RESISTOR	10kΩ 1/16W J						
R743	NRSA63J-103X	MG RESISTOR	10kΩ 1/16W J						
R744	NRSA63J-103X	MG RESISTOR	10kΩ 1/16W J						
R745	NRSA63J-103X	MG RESISTOR	10kΩ 1/16W J						
R746	NRSA63J-103X	MG RESISTOR	10kΩ 1/16W J						
R747	NRSA63J-472X	MG RESISTOR	4.7kΩ 1/16W J						
R748	NRSA63J-472X	MG RESISTOR	4.7kΩ 1/16W J						
R749	NRSA63J-472X	MG RESISTOR	4.7kΩ 1/16W J						
R750	NRSA63J-103X	MG RESISTOR	10kΩ 1/16W J						
R751	NRSA63J-103X	MG RESISTOR	10kΩ 1/16W J						
R752	NRSA63J-473X	MG RESISTOR	47kΩ 1/16W J						
R753	NRSA63J-473X	MG RESISTOR	47kΩ 1/16W J						
R754	NRSA63J-821X	MG RESISTOR	820Ω 1/16W J						
R755	NRSA63J-106X	MG RESISTOR	10MΩ 1/16W J						
R756	NRSA63J-473X	MG RESISTOR	47kΩ 1/16W J						
R757	NRSA63J-222X	MG RESISTOR	2.2kΩ 1/16W J						
R758	NRSA63J-473X	MG RESISTOR	47kΩ 1/16W J						
R760	NRSA63J-473X	MG RESISTOR	47kΩ 1/16W J						
R762	NRSA63J-473X	MG RESISTOR	47kΩ 1/16W J						
R763	NRSA63J-102X	MG RESISTOR	1kΩ 1/16W J						
R766	NRSA63J-222X	MG RESISTOR	2.2kΩ 1/16W J						
R767	NRSA63J-223X	MG RESISTOR	22kΩ 1/16W J						
R771	NRSA63J-271X	MG RESISTOR	270Ω 1/16W J						
R772	NRSA63J-271X	MG RESISTOR	270Ω 1/16W J						
R783	NRSA63J-103X	MG RESISTOR	10kΩ 1/16W J						
R793	NRS181J-0R0X	MG RESISTOR	0Ω 1/8W J						
R891	NRSA63J-102X	MG RESISTOR	1kΩ 1/16W J						
R892	NRSA63J-473X	MG RESISTOR	47kΩ 1/16W J						
R901	QRE142J-102X	C RESISTOR	1kΩ 1/4W J						
R902	NRSA02J-912X	MG RESISTOR	9.1kΩ 1/10W J						
R903	NRSA02J-472X	MG RESISTOR	4.7kΩ 1/10W J						
R971	NRS181J-222X	MG RESISTOR	2.2kΩ 1/8W J		C661	NBE20JM-106X	TA E CAPACITOR	10uF 6.3V M	
R972	NRS181J-222X	MG RESISTOR	2.2kΩ 1/8W J		C662	NCS31HJ-681X	C CAPACITOR	680pF 50V J	
R976	NRSA02J-273X	MG RESISTOR	27kΩ 1/10W J		C663	NCB31HK-223X	C CAPACITOR	0.022uF 50V K	
R977	NRSA02J-123X	MG RESISTOR	12kΩ 1/10W J		C681	NBE20JM-475X	TA E CAPACITOR	4.7uF 6.3V M	
R998	NRSA63J-100X	MG RESISTOR	10Ω 1/16W J		C682	NCB31HK-123X	C CAPACITOR	0.012uF 50V K	
RA30	NRZ0065-222X	MG RESISTOR	2.2kΩ		C686	NCB31HK-223X	C CAPACITOR	0.022uF 50V K	
RA550	NRZ0065-103X	MG RESISTOR	10kΩ		C687	NCB31HK-223X	C CAPACITOR	0.022uF 50V K	
RA701	NRZ0065-102X	MG RESISTOR	1kΩ		R601	NRSA63J-821X	MG RESISTOR	820Ω 1/16W J	
					R602	NRSA63J-821X	MG RESISTOR	820Ω 1/16W J	

### Front board

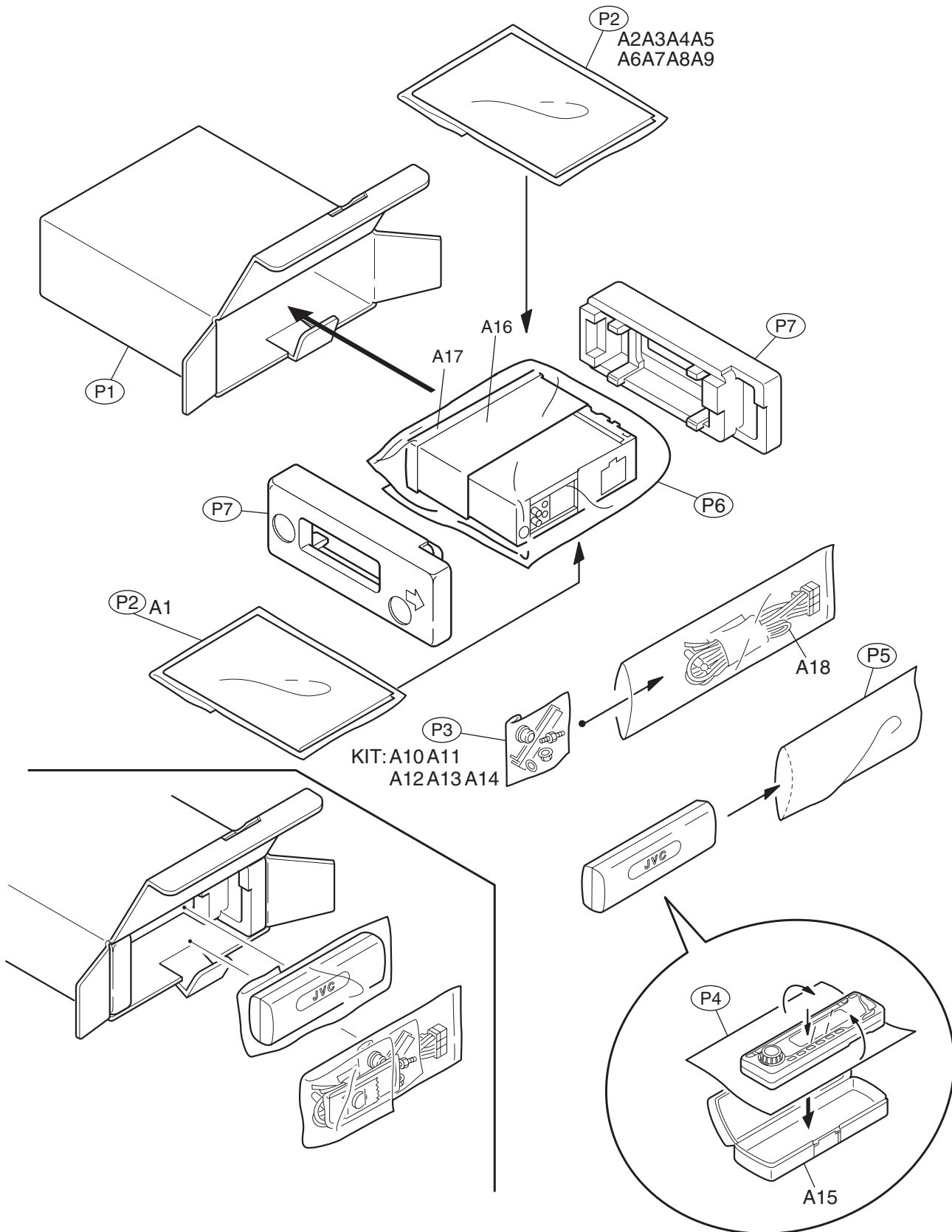
Block No. [0][2][0][0]

△ Symbol No.	Part No.	Part Name	Description	Local
IC661	PT6523LQ	IC		
IC681	RPM7338-V4	REMOCON RCV		
Q670	2SB624/4/-X	TRANSISTOR		
Q671	UN2211-X	TRANSISTOR		
D630	SML-310LT/MN/-X	LED		
D631	SML-310VT/JK/-X	LED		
D632	SML-310VT/JK/-X	LED		
D633	SML-310VT/JK/-X	LED		
D634	SML-310VT/JK/-X	LED		
D635	SML-310VT/JK/-X	LED		
D636	SML-310VT/JK/-X	LED		
D637	SML-310VT/JK/-X	LED		
D638	SML-310VT/JK/-X	LED		
D639	SML-310VT/JK/-X	LED		
D640	SML-310VT/JK/-X	LED		
D641	SML-310VT/JK/-X	LED		
D642	SML-310VT/JK/-X	LED		
D643	SML-310VT/JK/-X	LED		
D644	SML-310VT/JK/-X	LED		
D645	SML-310VT/JK/-X	LED		
D646	SML-310VT/JK/-X	LED		
D647	SML-310VT/JK/-X	LED		
D648	SML-310VT/JK/-X	LED		
D649	SML-310VT/JK/-X	LED		
D650	SML-310VT/JK/-X	LED		
D651	SML-310VT/JK/-X	LED		
D652	NSPW310BS/BRS/	LED		
D653	NSPW310BS/BRS/	LED		
D661	1SS355-X	SI DIODE		
D662	UDZS5.1B-X	Z DIODE		
D681	UDZS6.2B-X	Z DIODE		
C661	NBE20JM-106X	TA E CAPACITOR	10uF 6.3V M	
C662	NCS31HJ-681X	C CAPACITOR	680pF 50V J	
C663	NCB31HK-223X	C CAPACITOR	0.022uF 50V K	
C681	NBE20JM-475X	TA E CAPACITOR	4.7uF 6.3V M	
C682	NCB31HK-123X	C CAPACITOR	0.012uF 50V K	
C686	NCB31HK-223X	C CAPACITOR	0.022uF 50V K	
C687	NCB31HK-223X	C CAPACITOR	0.022uF 50V K	
R601	NRSA63J-821X	MG RESISTOR	820Ω 1/16W J	
R602	NRSA63J-821X	MG RESISTOR	820Ω 1/16W J	

Symbol No.	Part No.	Part Name	Description	Local
R603	NRSA63J-122X	MG RESISTOR	1.2kΩ 1/16W J	
R604	NRSA63J-182X	MG RESISTOR	1.8kΩ 1/16W J	
R605	NRSA63J-272X	MG RESISTOR	2.7kΩ 1/16W J	
R606	NRSA63J-821X	MG RESISTOR	820Ω 1/16W J	
R607	NRSA63J-821X	MG RESISTOR	820Ω 1/16W J	
R608	NRSA63J-122X	MG RESISTOR	1.2kΩ 1/16W J	
R609	NRSA63J-182X	MG RESISTOR	1.8kΩ 1/16W J	
R610	NRSA63J-821X	MG RESISTOR	820Ω 1/16W J	
R611	NRSA63J-821X	MG RESISTOR	820Ω 1/16W J	
R612	NRSA63J-122X	MG RESISTOR	1.2kΩ 1/16W J	
R613	NRSA63J-182X	MG RESISTOR	1.8kΩ 1/16W J	
R614	NRSA63J-272X	MG RESISTOR	2.7kΩ 1/16W J	
R615	NRSA63J-392X	MG RESISTOR	3.9kΩ 1/16W J	
R630	NRSA02J-821X	MG RESISTOR	820Ω 1/10W J	
R631	NRSA02J-471X	MG RESISTOR	470Ω 1/10W J	
R633	NRSA02J-681X	MG RESISTOR	680Ω 1/10W J	
R637	NRSA02J-821X	MG RESISTOR	820Ω 1/10W J	
R639	NRSA02J-331X	MG RESISTOR	330Ω 1/10W J	
R641	NRSA02J-331X	MG RESISTOR	330Ω 1/10W J	
R643	NRSA02J-471X	MG RESISTOR	470Ω 1/10W J	
R645	NRSA02J-471X	MG RESISTOR	470Ω 1/10W J	
R647	NRSA02J-471X	MG RESISTOR	470Ω 1/10W J	
R649	NRS181J-391X	MG RESISTOR	390Ω 1/8W J	
R650	NRS181J-391X	MG RESISTOR	390Ω 1/8W J	
R651	NRSA02J-471X	MG RESISTOR	470Ω 1/10W J	
R661	NRSA63J-222X	MG RESISTOR	2.2kΩ 1/16W J	
R662	NRSA63J-222X	MG RESISTOR	2.2kΩ 1/16W J	
R663	NRSA63J-184X	MG RESISTOR	180kΩ 1/16W J	
R664	NRSA63J-103X	MG RESISTOR	10kΩ 1/16W J	
R665	NRSA63J-513X	MG RESISTOR	51kΩ 1/16W J	
R666	NRSA63J-103X	MG RESISTOR	10kΩ 1/16W J	
R667	NRSA63J-103X	MG RESISTOR	10kΩ 1/16W J	
R668	NRSA63J-103X	MG RESISTOR	10kΩ 1/16W J	
R670	NRS181J-471X	MG RESISTOR	470Ω 1/8W J	
R671	NRSA63J-473X	MG RESISTOR	47kΩ 1/16W J	
R672	NRS181J-102X	MG RESISTOR	1kΩ 1/8W J	
R681	NRSA63J-471X	MG RESISTOR	470Ω 1/16W J	
R682	NRSA63J-103X	MG RESISTOR	10kΩ 1/16W J	
R686	NRSA63J-101X	MG RESISTOR	100Ω 1/16W J	
R687	NRSA63J-473X	MG RESISTOR	47kΩ 1/16W J	
R688	NRSA63J-473X	MG RESISTOR	47kΩ 1/16W J	
CJ601	VMC0335-001	PANEL CONNECTOR		
JS686	QSW0863-003	ROTARY ENCODER		
S601	NSW0124-001X	TACT SW		
S602	NSW0124-001X	TACT SW		
S603	NSW0124-001X	TACT SW		
S604	NSW0124-001X	TACT SW		
S605	NSW0124-001X	TACT SW		
S606	NSW0124-001X	TACT SW		
S607	NSW0124-001X	TACT SW		
S608	NSW0124-001X	TACT SW		
S609	NSW0124-001X	TACT SW		
S610	NSW0124-001X	TACT SW		
S611	NSW0124-001X	TACT SW		
S612	NSW0124-001X	TACT SW		
S613	NSW0124-001X	TACT SW		
S614	NSW0124-001X	TACT SW		
S615	NSW0124-001X	TACT SW		
S616	NSW0124-001X	TACT SW		
S617	NSW0124-001X	TACT SW		
S618	NSW0124-001X	TACT SW		

# Packing materials and accessories parts list

Block No. M 3 M M



## Packing and accessories

Block No. [M][3][M][M]

△ Symbol No.	Part No.	Part Name	Description	Local
A 1	GET0195-001A	INST SHEET	ENG GER FRE DUT	
A 2	GET0195-002A	INST SHEET	SPA ITA POL RUS E	
A 2	GET0195-003A	INST SHEET	SWE DAN FIN GRE	EX
A 3	GET0195-005A	INSTALL MANUAL		
A 4	GET0195-006A	INSTALL MANUAL		E
A 4	GET0195-007A	INSTALL MANUAL		EX
A 5	LVT1120-002A	MP3 GUIDE		
A 6	BT-54013-7	WARRANTY CARD		
A 7	VND3046-001	SERIAL TICKET		
A 8	GET0208-001A	DEMO MODE SHT		E
A 8	GET0208-002A	DEMO MODE SHT		EX
A 9	VND3050-002	IDENTITY CARD		
A 10	VKZ4027-202	PLUG NUT		
A 11	VKH4871-001SS	MOUNT BOLT		
A 12	VKZ4328-001	LOCK NUT		
A 13	WNS5000Z	WASHER		
A 14	GE40130-002A	HOOK	(x2)	
A 15	FSJB3002-00C	HARD CASE		
A 16	GE20137-003A	MOUNTING SLEEVE		
A 17	GE20135-003A	TRIM PLATE		
△ A 18	QAM0175-002	POWER CORD		
KIT	SRW-200J	SCREW PARTS KIT	A10 A11 A12 A13 A14	
P 1	GE31214-001A	CARTON		
P 2	FSPG4002-001	POLY BAG	(x2)	
P 3	QPA00801205	POLY BAG	8cm x 12cm	
P 4	FSYH4036-068	SHEET		
P 5	QPA01003003	POLY BAG	10cm x 30cm	
P 6	QPC03004315P	POLY BAG	30cm x 43cm	
P 7	GE10070-002A	EPS CUSHION		